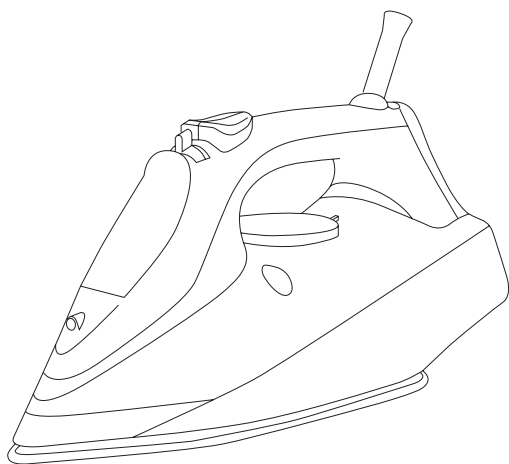


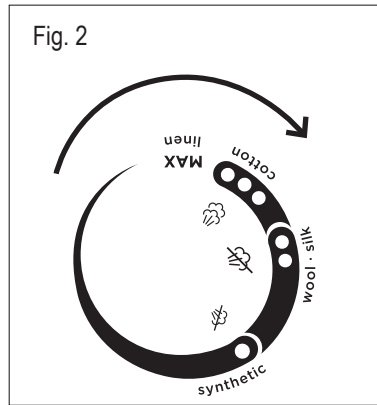
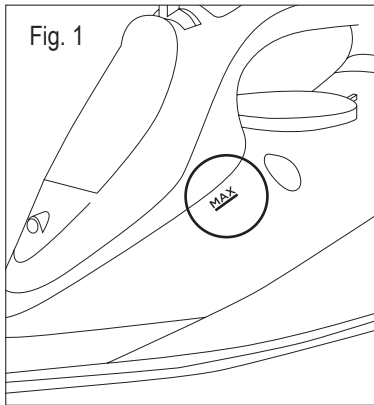
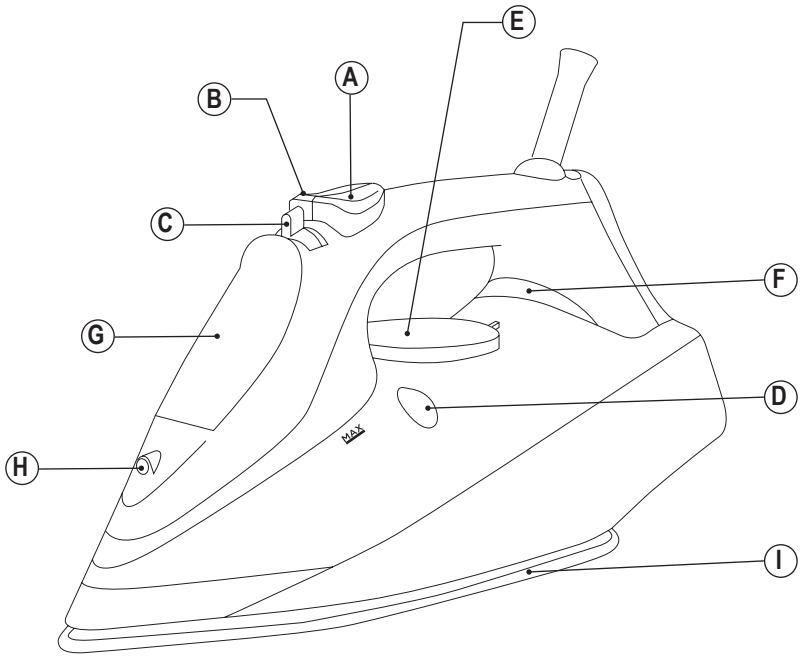


- EN. Instructions for use
- FR. Mode d'emploi
- DE. Gebrauchsanleitun
- IT. Istruzioni per l'uso
- ES. Instrucciones de uso
- PT. Instruções de uso
- NL. Gebruiksaanwijzing
- PL. Instrukcja obsługi
- EL. Οδηγίες χρήσης
- RO. Instrucțiuni de utilizare
- BG. Инструкция за употреба
- CA. Instruccions d'ús
- DA. Brugsanvisning
- NO. Instruksjoner for bruk
- SV. Användningsinstruktioner
- FI. Käyttöohjeet
- TR. Kullanım için talimatlar
- HE. הוראות לשימוש



BXIR2606E - BXIR2805E





STEAM IRON BXIR2606E, BXIR2805E

Dear customer,

Many thanks for choosing to purchase a Black+Decker brand product.

Thanks to its technology, design and operation and the fact that it exceeds the strictest quality standards, a fully satisfactory use and long product life can be assured.

SAFETY ADVICE AND WARNINGS

- Read these instructions carefully before switching on the appliance and keep them for future reference. Failure to follow and observe these instructions could lead to an accident.
- This appliance can be used by children aged from 8 years and above and persons with reduced physical, sensory or mental capabilities or lack of experience and knowledge if they have been given supervision or instruction concerning use of the appliance in a safe way and understand the hazards involved. Children shall not play with the appliance. Cleaning and user maintenance shall not be made by children without supervision.
- Keep the iron and its cord out of reach of children less than 8 years of age when it is energized or cooling down.
- The iron must not be left unattended while it is connected to the supply mains.
- The plug must be removed from the socket-outlet before the water reservoir is filled with water.

- The iron must be used and rested on a flat, stable surface.
- When placing the iron on its stand, ensure that the surface on which the stand is placed is stable.
- The iron is not to be used if it has been dropped, if there are visible signs of damage or if it is leaking.
- If the supply cord is damaged, it must be replaced by the manufacturer, its service agent or similarly qualified persons in order to avoid a hazard.
- This appliance is for household use only, not professional or industrial use.



CAUTION: Surfaces are liable to get hot during use.

- This appliance shall be connected only to a supply of the system impedance: $Z_{sys} = 0.291\Omega$ or less. Before connecting the product to public power network, please consult your local power supply authority to ensure the power network meet above requirement.
- Ensure that the voltage indicated on the rating label matches the mains voltage before plugging in the appliance.
- Connect the appliance to a mains socket rated at least 16 amperes.
- The appliance's plug must fit into the mains socket properly. Do not alter the plug. Do not use plug adaptors.
- Do not use the appliance if the supply cord or plug is damaged.
- If the appliance enclosure breaks, immediately disconnect the appliance from the mains to prevent the possibility of an electric shock.
- Do not pull on the supply cord. Never use the supply cord to lift up, carry or unplug the appliance.
- Do not wrap the supply cord around the appliance.
- Check the state of the supply cord. If it is damaged it will increase the risk of electric shock.
- Do not allow the supply cord to hang freely or to come into contact with the appliance's hot surfaces.
- Do not touch the plug with wet hands.
- Do not use or store the appliance outdoors.

- Do not leave the appliance out in the rain or exposed to moisture. If water gets into the appliance, this will increase the risk of electric shock.
- The temperature of the accessible surfaces may be high when the appliance is in use.
- Do not touch any heated part, as this may cause serious burns.

USE AND CARE

- Fully extend the appliance's supply cord before each use.
- Do not use the appliance if the accessories attached to it are defective. Replace them immediately.
- Use the handle when lifting or moving the appliance.
- Do not use the appliance if it is tipped up, and do not turn it over.
- Do not turn the appliance over while it is in use or connected to the mains.
- To keep the non-stick treatment in good condition, do not use metal or pointed utensils on it.
- Respect the MAX level indicator. (Fig. 1).
- Disconnect the appliance from the mains when not in use and before undertaking any cleaning task.
- Store this appliance out of reach of children and/or persons with physical, sensory or reduced mental or lack of experience and knowledge.
- Do not store or transport the appliance if it is still hot.
- For correct operation, keep the soleplate in proper condition; do not operate over metal objects (ironing board metal parts, buttons, zips, etc.)
- It is advisable to use distilled water, especially if the water in your area contains clay or if it is "hard" (containing lime or magnesium).
- Check that the filling spout lid is closed properly before starting the appliance.
- Never leave the appliance unattended while in use.
- Never leave the appliance connected and unattended if it is not in use. This saves energy and prolongs the life of the appliance.
- Never rest the appliance on a surface while in use.
- Do not use the appliance on any part of the body of a person or animal.
- Do not use the appliance to dry textiles of any kind.
- Turning the thermostat control to the minimum (MIN) setting, doesn't mean that the iron is switched off permanently.

DESCRIPTION

A	Spray button
B	Steam blast button
C	Steam flow control
D	Auto-cleaning button
E	Temperature regulator
F	Pilot light
G	Filling spout
H	Spray nozzle
I	Soleplate

INSTRUCTIONS FOR USE

BEFORE USE

- Make sure that all product's packaging has been removed.
- Please read the «Safety advice and warnings» section carefully before first use.
- Some parts of the appliance have been lightly greased. Consequently, the first time the appliance is used, light smoke may be detected. After a short time, this smoke will disappear.
- To eliminate the smell given off by the appliance when used for the first time, it is recommended to have it on at full power for 10 minutes in a well-ventilated room.
- Prepare the appliance according to the function you wish to use:

FILLING WITH WATER

- It is essential to have filled the water reservoir with water to be able to work with steam.
- The plug must be removed from the socket-outlet before the water reservoir is filled with water.
- Open the filling spout lid.
- Fill the water reservoir, taking care to observe the MAX level. (Fig. 1).
- Close the filling spout lid.

USE

- Extend the supply cord completely before plugging it in.
- Connect the appliance to the mains.
- Turn the temperature regulator (E) to the desired temperature position.
- Do not use temperatures higher than those indicated on the garments to be treated.

• Temperature for synthetic fibres (polyester, nylon).

•• Temperature for silk, wool.

••• Temperature for cotton.

Max Temperature for linen.

- If the garment has various kinds of fibres, select the temperature for the fibre that requires the lowest temperature. (For example, select the temperature for polyester for an article made out of 60% polyester and 40% cotton).
- Wait until the pilot light (F) has gone out, which will indicate that the appliance has reached an adequate temperature.
- During the appliance's use, the pilot light (F) will come on and off automatically, indicating the heating elements are working and therefore maintaining the desired temperature.

DRY IRONING

- The appliance has a steam flow control (C) that permits dry ironing (without steam) when placed in the minimum position.

STEAM IRONING

- It is possible to iron with steam whenever the water reservoir is filled with water and an adequate temperature is selected.

STEAM FLOW CONTROL

- The appliance has a steam flow control (C) that allows control of the steam flow.

SPRAY

- The spray can be used in both steam and dry ironing.
- Press the spray button (A) to use this operation.
- The spray button has to be pressed repeatedly to release the first spray.

STEAM BLAST

- This function provides extra steam for eliminating wrinkles.
- Press the steam blast button (B). Wait a few seconds until vapour penetrates the fibres of the garment before

pushing the button again. For optimum steam quality, do not apply more than three successive blasts.

- The steam blast button has to be pressed repeatedly to release the first shot.

VERTICAL STEAMING

- It is possible to iron hanging curtains, items of clothing on his hanger, etc. To do so, follow the instructions:

- Select the maximum temperature of the iron while turning the temperature regulator of the iron in a clockwise direction. (Fig. 2).
- Move the iron in a top-to-bottom direction while pressing the steam blast button. (B).

- Important: for cotton and linen, it's recommended to put the iron base in contact with the material. For other more delicate fibres, it's recommended to keep the iron base at some centimetres of distance.

ONCE YOU HAVE FINISHED USING THE APPLIANCE

- Select the minimum position (MIN) using the thermostat control.
- Unplug the appliance from the mains.
- Allow to cool.
- Remove the water from the inside of the appliance.
- Clean the appliance.

SAFETY THERMAL PROTECTOR

- The appliance has a safety device which protects the appliance from overheating.

CLEANING

- Disconnect the appliance from the mains and allow it to cool before undertaking any cleaning task.
- Clean the equipment with a damp cloth with a few drops of washing-up liquid and then dry it.
- Do not use solvents or products with an acid or base pH, such as bleach, or abrasive products, for cleaning the appliance.
- Never immerse the appliance in water or any other liquid or place it under running water.

SELF-CLEANING FUNCTION

- It is important to self-clean the appliance at least once a month to remove calcium and any other built-up minerals inside the iron.
- Fill the water reservoir to its maximum level, as indicated in the «Filling with water» section.
- Place the iron in the vertical position, plug it into the mains and select the maximum temperature.

- Leave the appliance to heat up until the pilot light indicates that it has reached its consigned temperature.
- Unplug the appliance and place it in the sink.
- Press the auto-cleaning button (D), and keep it pressed down.
- Let the water flow out through the steam vents in the base while lightly shaking the appliance.
- Release the button after a minute or when the tank becomes empty.
- Leave the iron in the vertical position until it has cooled.

HOW TO DEAL WITH LIMESCALE INCRUSTATIONS

- For the appliance to work correctly, it should be kept free of limescale or magnesium incrustations caused by the use of hard water.
- To prevent this kind of problem, we recommend the use of water with low lime or magnesium mineralisation.
- Homemade solutions are not recommended for de-scaling this appliance, such as the use of vinegar.

SERVICE

- Any misuse or failure to follow the instructions for use renders the guarantee and the manufacturer's liability null and void.

ANOMALIES AND REPAIR

- Take the appliance to an authorised technical support service if problems arise. Do not try to dismantle or repair without assistance, as this may be dangerous.

WARRANTY AND TECHNICAL ASSISTANCE

- This product enjoys the recognition and protection of the legal guarantee in accordance with current legislation. To enforce your rights or interests, you must go to any of our official technical assistance services.
- You can find the closest one by accessing the following web link: <https://www.blackanddecker.eu/>
- You can also request related information by contacting us.
- You can download this instruction manual and its updates at <https://www.blackanddecker.eu/>

FOR EU PRODUCT VERSIONS AND/OR IN THE CASE THAT IT IS REQUESTED IN YOUR COUNTRY ECOLOGY AND RECYCLABILITY OF THE PRODUCT

- The materials of which the packaging of this appliance consists are included in a collection, classification and recycling system. Should you wish to dispose of them, use the appropriate public containers for each type of material.
- The product does not contain concentrations of substances that could be considered harmful to the environment.



This symbol means that in case you wish to dispose of the product once its working life has ended, take it to an authorised waste agent for the selective collection of waste electrical and electronic equipment (WEEE).

- This appliance complies with Directive 2014/35/EU on Low Voltage, Directive 2014/30/EU on Electromagnetic Compatibility, Directive 2011/65/EU on the restrictions of the use of certain hazardous substances in electrical and electronic equipment and Directive 2009/125/EC on the ecodesign requirements for energy-related products.

Information regarding substances of very high concern (SVHC) according to the Regulation 1907/2006/EC (REACH). This product contains the following substances SVHC:

Lead (Pb), CAS Number: 7439-92-1

Cadmium (Cd), CAS Number: 7440-43-9

Dodecamethylcyclohexasiloxane (D6), CAS Number: 540-97-6

4-tert-butylphenol (PTBP), CAS Number: 98-54-4

Black & Decker® and BLACK+DECKER™ and the Black & Decker® and BLACK+DECKER™ logos are registered trademarks of The Black & Decker® Corporation and are used under licence. All rights reserved.

Imported and Distributed by
ENGINEERING AND TECHNOLOGY FOR LIFE, S.L.
Avda. Barcelona s/n Oliana, 25790, Spain

FER À REPASSER VAPEUR BXIR2606E, BXIR2805E

Cher Client,

Un grand merci d'avoir choisi d'acheter un produit de marque Black+Decker.

Sa technologie, son design et sa fonctionnalité, outre sa parfaite conformité aux normes de qualité les plus strictes, vous permettront d'en tirer une longue et durable satisfaction.

CONSEILS DE SÉCURITÉ ET AVERTISSEMENTS

- Lire attentivement cette notice d'instructions avant de mettre l'appareil en marche, et la conserver pour la consulter ultérieurement. Le non-respect de ces instructions peut être source d'accident.
- Cet appareil peut être utilisé par des enfants âgés d'au moins 8 ans et par des personnes ayant des capacités physiques, sensorielles ou mentales réduites ou dénuées d'expérience ou de connaissance, s'ils (si elles) sont correctement surveillé(e)s ou si des instructions relatives à l'utilisation de l'appareil en toute sécurité leur ont été données et si les risques encourus ont été appréhendés. Les enfants ne doivent pas jouer avec l'appareil. Le nettoyage et l'entretien par l'utilisateur ne doivent pas être effectués par des enfants sans surveillance.
- Conservez l'appareil et son cordon hors de portée des enfants de moins de 8 ans lorsqu'il est sous tension ou qu'il refroidit.

- L'utilisateur ne doit pas laisser le fer sans surveillance lorsqu'il est raccordé à l'alimentation.
- La fiche de prise de courant doit être retirée du socle de prise de courant avant de remplir le réservoir d'eau.
- Le fer à repasser doit être utilisé et reposé sur une surface plate et stable.
- Lorsque le fer est remis sur son repose-fer, s'assurer que la surface qui supporte le repose-fer est stable.
- Le fer à repasser ne doit pas être utilisé s'il a subi une chute, s'il y a des signes visibles de dommages ou s'il fuit.
- Si le câble d'alimentation est endommagé, il doit être remplacé par le fabricant, son service après-vente ou des personnes de qualification similaire afin d'éviter un danger.
- Cet appareil est uniquement destiné à un usage domestique et non professionnel ou industriel.



MISE EN GARDE: La température des surfaces accessibles peut être élevée pendant l'usage.

- Cet appareil ne doit être connecté qu'à une alimentation dont l'impédance du système est égale ou inférieure à $Z_{sys} = 0,291\Omega$. Avant de brancher l'appareil sur le réseau électrique public, veuillez contacter votre autorité locale chargée de l'approvisionnement en électricité pour vous assurer que l'alimentation électrique répond aux exigences susmentionnées.
- Avant de raccorder l'appareil au secteur, s'assurer que le voltage indiqué sur la plaque signalétique correspond à celui du secteur.
- Raccorder l'appareil à une prise de courant d'au moins 16 ampères.

- La prise de courant de l'appareil doit coïncider avec la base de la prise de courant. Ne jamais modifier la prise de courant. Ne pas utiliser d'adaptateur de prise de courant.
- Ne pas utiliser l'appareil si son câble électrique ou sa prise est endommagé.
- Si le boîtier de l'appareil se brise, débrancher immédiatement l'appareil du réseau électrique afin d'éviter tout risque d'électrocution.
- Ne tirez pas sur le cordon d'alimentation. Ne jamais utiliser le câble électrique pour lever, transporter ou débrancher l'appareil.
- Ne pas enrouler le câble électrique autour de l'appareil.
- Vérifier l'état du câble électrique de connexion. Les câbles endommagés ou emmêlés augmentent le risque de choc électrique.
- Ne pas laisser le cordon de connexion entrer en contact avec les surfaces chaudes de l'appareil.
- Ne pas toucher la prise de raccordement avec les mains mouillées.
- Ne pas exposer l'appareil aux intempéries.
- Ne pas exposer l'appareil à la pluie ou à un environnement humide. L'eau qui entre dans l'appareil augmente le risque de décharge électrique.
- Quand l'appareil est mis en marche, la température des surfaces accessibles peut être élevée.
- Éviter de toucher les parties chauffantes de l'appareil, vous pourriez gravement vous brûler.

UTILISATION ET ENTRETIEN

- Déployez complètement le cordon d'alimentation de l'appareil avant chaque utilisation.
- N'utilisez pas l'appareil si les accessoires qui y sont fixés sont défectueux. Remplacez-les immédiatement.
- Utilisez la poignée pour soulever ou déplacer l'appareil.
- N'utilisez pas l'appareil s'il est basculé et ne le retournez pas.
- Ne retournez pas l'appareil lorsqu'il est en cours d'utilisation ou branché sur le secteur.
- Pour conserver le traitement antiadhésif en bon état, ne pas utiliser d'ustensiles métalliques ou pointus.
- Respecter l'indicateur de niveau MAX. (Fig. 1).
- Débranchez l'appareil lorsqu'il n'est pas utilisé et avant d'entreprendre toute opération de nettoyage.
- Conservez cet appareil hors de portée des enfants et/ou des personnes souffrant de déficiences physiques, sensorielles ou mentales ou d'un manque d'expérience et de connaissances.

- Ne pas stocker ou transporter l'appareil s'il est encore chaud.
- Pour un fonctionnement correct, maintenir la semelle en bon état ; ne pas l'utiliser sur des objets métalliques (parties métalliques de la table à repasser, boutons, fermetures à glissière, etc.)
- Il est conseillé d'utiliser de l'eau distillée, surtout si l'eau de votre région contient de l'argile ou si elle est "dure" (contenant du calcaire ou du magnésium).
- Vérifiez que le couvercle du bec de remplissage est correctement fermé avant de mettre l'appareil en marche.
- Ne laissez jamais l'appareil sans surveillance lorsqu'il est en cours d'utilisation.
- Ne laissez jamais l'appareil branché sans surveillance s'il n'est pas utilisé. Cela permet d'économiser de l'énergie et de prolonger la durée de vie de l'appareil.
- Ne posez jamais l'appareil sur une surface lorsqu'il est en cours d'utilisation.
- Ne pas utiliser l'appareil sur une partie du corps d'une personne ou d'un animal.
- Ne pas utiliser l'appareil pour sécher des textiles de quelque nature que ce soit.
- Le fait de régler le thermostat au minimum (MIN) ne signifie pas que le fer à repasser est éteint de façon permanente.

DESCRIPTION

A	Bouton de pulvérisation
B	Bouton d'injection de vapeur
C	Contrôle du débit de vapeur
D	Bouton d'auto-nettoyage
E	Régulateur de température
F	Lampe témoin
G	Bec de remplissage
H	Buse de pulvérisation
I	Semelle

MODE D'EMPLOI

AVANT L'UTILISATION

- Assurez-vous que tous les emballages des produits ont été retirés.
- Veuillez lire attentivement la section "Conseils de sécurité et avertissements" avant la première utilisation.
- Certaines parties de l'appareil ont été légèrement graissées. Par conséquent, lors de la première utilisation

de l'appareil, une légère fumée peut être détectée. Au bout d'un certain temps, cette fumée disparaît.

- Pour éliminer l'odeur dégagée par l'appareil lors de sa première utilisation, il est recommandé de le faire fonctionner à pleine puissance pendant 10 minutes dans une pièce bien ventilée.
- Préparez l'appareil selon la fonction que vous souhaitez utiliser :

REMPLISSAGE AVEC DE L'EAU

- Il est indispensable d'avoir rempli le réservoir d'eau pour pouvoir travailler à la vapeur.
- Le bouchon doit être retiré de la prise de courant avant de remplir le réservoir d'eau.
- Ouvrir le couvercle du bec de remplissage.
- Remplir le réservoir d'eau en veillant à respecter le niveau MAX. (Fig. 1).
- Fermer le couvercle du bec de remplissage.

UTILISATION

- Rallongez complètement le cordon d'alimentation avant de le brancher.
- Branchez l'appareil sur le réseau électrique.
- Tourner le régulateur de température (E) sur la position de température souhaitée.
- Ne pas utiliser de températures supérieures à celles indiquées sur les vêtements à traiter.

- Température pour les fibres synthétiques (polyester, nylon).
- Température pour la soie, la laine.
- Température pour le coton.

Max Température pour le linge.

- Si le vêtement comporte plusieurs types de fibres, sélectionnez la température correspondant à la fibre qui nécessite la température la plus basse. (Par exemple, sélectionnez la température du polyester pour un article composé de 60 % de polyester et de 40 % de coton).
- Attendez que le témoin lumineux (F) s'éteigne, ce qui indique que l'appareil a atteint une température adéquate.
- Pendant l'utilisation de l'appareil, la lampe témoin (F) s'allume et s'éteint automatiquement, indiquant que les éléments chauffants fonctionnent et maintiennent donc la température souhaitée.

REPASSAGE À SEC

- L'appareil est équipé d'un régulateur de débit de vapeur (C) qui permet le repassage à sec (sans vapeur) lorsqu'il est placé en position minimale.

REPASSAGE À LA VAPEUR

- Il est possible de repasser à la vapeur lorsque le réservoir d'eau est rempli d'eau et qu'une température adéquate est sélectionnée.

CONTRÔLE DU DÉBIT DE VAPEUR

- L'appareil est équipé d'un régulateur de débit de vapeur (C) qui permet de contrôler le débit de vapeur.

SPRAY

- Le spray peut être utilisé pour le repassage à sec ou à vapeur.
- Appuyez sur le bouton de pulvérisation (A) pour utiliser cette opération.
- Il faut appuyer plusieurs fois sur le bouton de pulvérisation pour déclencher la première pulvérisation.

COUP DE VAPEUR

- Cette fonction fournit de la vapeur supplémentaire pour éliminer les rides.
- Appuyer sur le bouton du jet de vapeur (B). Attendez quelques secondes que la vapeur pénètre dans les fibres du vêtement avant d'appuyer à nouveau sur le bouton. Pour une qualité optimale de la vapeur, ne pas appliquer plus de trois jets successifs.
- Il faut appuyer plusieurs fois sur le bouton du jet de vapeur pour libérer le premier jet.

CUISSON À LA VAPEUR VERTICALE

- Il est possible de repasser des rideaux suspendus, des vêtements sur leur cintre, etc. Pour ce faire, suivez les instructions :
 - Sélectionnez la température maximale du fer en tournant le régulateur de température du fer dans le sens des aiguilles d'une montre. (Fig. 2).
 - Déplacez le fer de haut en bas tout en appuyant sur le bouton de soufflage de vapeur. (B).
- Important : pour le coton et le lin, il est recommandé de mettre la base du fer en contact avec le matériau. Pour d'autres fibres plus délicates, il est recommandé de maintenir la base du fer à quelques centimètres de distance.

UNE FOIS L'UTILISATION DE L'APPAREIL TERMINÉE

- Sélectionner la position minimale (MIN) à l'aide de la commande du thermostat.
- Débrancher l'appareil du réseau électrique.
- Laisser refroidir.
- Retirez l'eau de l'intérieur de l'appareil.
- Nettoyer l'appareil.

PROTECTION THERMIQUE DE SÉCURITÉ

- L'appareil est équipé d'un dispositif de sécurité qui le protège contre la surchauffe.

NETTOYAGE

- Débranchez l'appareil et laissez-le refroidir avant d'entreprendre toute opération de nettoyage.
- Nettoyez l'appareil à l'aide d'un chiffon humide additionné de quelques gouttes de liquide vaisselle, puis séchez-le.
- Ne pas utiliser de solvants ou de produits au pH acide ou basique, tels que l'eau de Javel, ni de produits abrasifs pour nettoyer l'appareil.
- Ne jamais immerger l'appareil dans l'eau ou tout autre liquide, ni le placer sous l'eau courante.

FONCTION D'AUTONETTOYAGE

- Il est important d'auto-nettoyer l'appareil au moins une fois par mois pour éliminer le calcium et les autres minéraux accumulés à l'intérieur du fer à repasser.
- Remplissez le réservoir d'eau jusqu'au niveau maximum, comme indiqué dans la section "Remplissage d'eau".
- Placez le fer en position verticale, branchez-le sur le secteur et sélectionnez la température maximale.
- Laissez l'appareil chauffer jusqu'à ce que le témoin lumineux indique qu'il a atteint la température prévue.
- Débranchez l'appareil et placez-le dans l'évier.
- Appuyez sur le bouton d'auto-nettoyage (D) et maintenez-le enfoncé.
- Laissez l'eau s'écouler par les orifices de vapeur situés dans la base tout en secouant légèrement l'appareil.
- Relâchez le bouton après une minute ou lorsque le réservoir est vide.
- Laissez le fer en position verticale jusqu'à ce qu'il ait refroidi.

COMMENT TRAITER LES INCRUSTATIONS DE CALCAIRE

- Pour que l'appareil fonctionne correctement, il doit être exempt d'incrustations de calcaire ou de magnésium dues à l'utilisation d'eau dure.
- Pour éviter ce genre de problème, nous recommandons l'utilisation d'une eau faiblement minéralisée en calcaire ou en magnésium.
- Les solutions maison ne sont pas recommandées pour détartrer cet appareil, comme l'utilisation de vinaigre.

GARANTIE

- Toute utilisation inappropriée ou non conforme aux instructions d'utilisation annule la garantie et la responsabilité du fabricant.

ANOMALIES ET RÉPARATION

- En cas de panne, remettez l'appareil à un service d'assistance technique agréé. Il est dangereux de tenter de procéder aux réparations ou de démonter l'appareil soi-même.

GARANTIE ET ASSISTANCE TECHNIQUE

- Ce produit bénéficie de la reconnaissance et de la protection de la garantie légale conformément à la législation en vigueur. Pour faire valoir vos droits ou intérêts, vous devez vous adresser à l'un de nos services officiels d'assistance technique.
- Vous pouvez trouver l'agence la plus proche en accédant au lien suivant : <https://www.blackanddecker.eu/>
- Vous pouvez également demander des informations connexes en nous contactant.
- Vous pouvez télécharger ce manuel d'instructions et ses mises à jour à l'adresse suivante : <https://www.blackanddecker.eu/>

POUR LES VERSIONS UE DU PRODUIT ET/OU EN FONCTION DE LA LÉGISLATION DU PAYS D'INSTALLATION

ÉCOLOGIE ET RECYCLAGE DU PRODUIT

- Les matériaux constitutifs de l'emballage de cet appareil font partie d'un programme de collecte, de tri et de recyclage. Si vous souhaitez vous débarrasser du produit, merci de bien vouloir utiliser les conteneurs publics appropriés à chaque type de matériau.
- Le produit ne contient pas de substances concentrées susceptibles d'être considérées comme nuisibles à l'environnement.



Ce symbole signifie que si vous souhaitez vous débarrasser de l'appareil, en fin de vie utile, celui-ci devra être déposé, en prenant les mesures adaptées, à un centre agréé pour la collecte et le tri des déchets d'équipements électriques et électroniques (DEEE).

- Cet appareil est certifié conforme à la directive 2014/35/EU de basse tension, de même qu'à la directive 2014/30/EU en matière de compatibilité électromagnétique, à la directive 2011/65/EU relative à la limitation de l'utilisation de certaines substances dangereuses dans les équipements

électriques et électroniques et à la directive 2009/125/EC pour la fixation d'exigences en matière d'écoconception applicable aux produits liés à l'énergie.

Informations concernant les substances extrêmement préoccupantes (SVHC) conformément au règlement 1907/2006/CE (REACH). Ce produit contient les substances SVHC suivantes:

Plomb (Pb), Numéro CAS : 7439-92-1 Cadmium (Cd),
Numéro CAS : 7440-43-9 Dodécaméthylcyclohexasiloxane (D6),
Numéro CAS : 540-97-64 tert-butylphénol (PTBP),
Numéro CAS : 98-54-4

Black & Decker® et BLACK+DECKER™ et les logos Black & Decker® et BLACK+DECKER™ sont des marques déposées de The Black & Decker® Corporation et sont utilisées sous licence. Tous droits réservés.

Importé et distribué par ENGINEERING AND TECHNOLOGY FOR LIFE, S.L. Avda. Barcelona s/n Oliana, 25790, Spain

DAMPFBÜGELEISEN BXIR2606E, BXIR2805E

Sehr geehrte Kunden,

Vielen Dank für den Kauf eines Black+Decker Markenprodukts.

Die Technologie, das Design und die Funktionalität dieses Produkts, das die anspruchsvollsten Qualitätsnormen erfüllt, werden Sie über viele Jahre zufriedenstellen.

SICHERHEITSHINWEISE UND WARNUNGEN

- Lesen Sie die Gebrauchsanweisung sorgfältig, bevor Sie das Gerät einschalten und bewahren Sie diese zum Nachschlagen zu einem späteren Zeitpunkt auf. Werden die Hinweise dieser Bedienungsanleitung nicht beachtet und eingehalten, kann es zu Unfällen kommen.
- Personen, denen es an Wissen im Umgang mit dem Gerät mangelt, geistig behinderte Personen oder Kinder ab 8 Jahren dürfen das Gerät nur unter Aufsicht oder Anleitung über den sicheren Gebrauch des Gerätes benutzen, sofern sie die von dem Gerät ausgehenden Gefahren verstehen. Kinder dürfen nicht mit dem Gerät spielen. Reinigung und Benutzerwartung dürfen nicht von Kindern ohne Aufsicht durchgeführt werden.
- Bewahren Sie das Bügeleisen und sein Kabel außerhalb der Reichweite von Kindern unter 8 Jahren auf, wenn es eingeschaltet ist oder abkühlt.
- Das Bügeleisen darf nicht unbeaufsichtigt gelassen werden, wenn es an das Stromnetz angeschlossen ist.

- Der Stecker muss aus der Steckdose gezogen werden, bevor der Wassertank mit Wasser gefüllt wird.
- Das Bügeleisen muss auf einer ebenen, stabilen Unterlage verwendet und aufgestellt werden.
- Wenn Sie das Bügeleisen auf den Ständer stellen, achten Sie darauf, dass der Untergrund, auf dem der Ständer steht, stabil ist.
- Das Bügeleisen darf nicht verwendet werden, wenn es heruntergefallen ist, wenn es sichtbare Anzeichen von Beschädigungen aufweist oder wenn es undicht ist.
- Wenn das Netzkabel beschädigt ist, muss es aus Sicherheitsgründen vom Kundendienst des Herstellers oder einem entsprechenden Fachmann ersetzt werden.
- Dieses Gerät ist ausschließlich für den häuslichen Gebrauch ausgelegt und ist für professionelle oder gewerbliche Zwecke nicht geeignet.



VORSICHT: Die Oberflächen können bei der Benutzung heiß werden.

- Dieses Gerät darf nur an eine Stromversorgung mit einer Systemimpedanz von $Z_{sys} = 0,291\Omega$ oder weniger angeschlossen werden. Bevor Sie das Produkt an das öffentliche Stromnetz anschließen, wenden Sie sich bitte an Ihre örtliche Stromversorgungsbehörde, um sicherzustellen, dass die Stromversorgung die oben genannten Anforderungen erfüllt.
- Vergewissern Sie sich, dass die Spannung auf dem Typenschild mit der Netzspannung übereinstimmt, bevor Sie das Gerät an das Stromnetz anschließen.
- Schließen Sie das Gerät an eine Netzsteckdose mit einer Nennleistung von mindestens 16 Ampere an.

- Der Stecker des Geräts muss mit dem Steckdosentyp des Stromanschlusses übereinstimmen. Der Gerätestecker darf unter keinen Umständen modifiziert werden. Keine Adapter für den Stecker verwenden.
- Das Gerät darf nicht mit beschädigtem elektrischem Kabel oder Stecker verwendet werden.
- Sollte ein Teil der Geräteverkleidung beschädigt sein, ist die Stromzufuhr umgehend zu unterbrechen, um einen möglichen elektrischen Schlag zu vermeiden.
- Ziehen Sie nicht am Versorgungskabel. Benutzen Sie das elektrische Kabel nicht zum Anheben oder Transportieren des Geräts.
- Den Stecker nicht am Kabel aus der Dose ziehen.
- Überprüfen Sie den Zustand des Versorgungskabels. Beschädigte oder verwickelte Kabel erhöhen das Risiko von elektrischen Schlägen.
- Achten Sie darauf, dass das Anschlusskabel nicht frei hängt oder mit den heißen Oberflächen des Geräts in Berührung kommt.
- Berühren Sie den Stecker nicht mit feuchten Händen.
- Das Gerät nicht im Freien benutzen oder aufbewahren.
- Das Gerät niemals Regen oder Feuchtigkeit aussetzen. Wasser, das eventuell in das Gerät gelangt, erhöht die Elektroschockgefahr.
- Die Temperatur der zugänglichen Oberflächen kann hoch sein, wenn das Gerät in Betrieb ist.
- Berühren Sie keine erhitzten Teile, da dies zu schweren Verbrennungen führen kann.
- Lagern oder transportieren Sie das Gerät nicht, wenn es noch heiß ist.
- Um einen einwandfreien Betrieb zu gewährleisten, halten Sie die Bügelsohle in einwandfreiem Zustand; arbeiten Sie nicht über Metallgegenständen (Metallteile des Bügelbretts, Knöpfe, Reißverschlüsse usw.)
- Es ist ratsam, destilliertes Wasser zu verwenden, vor allem wenn das Wasser in Ihrer Gegend tonhaltig oder "hart" (kalk- oder magnesiumhaltig) ist.
- Vergewissern Sie sich vor der Inbetriebnahme des Geräts, dass der Deckel des Einfüllstutzens richtig geschlossen ist.
- Lassen Sie das Gerät niemals unbeaufsichtigt, während es in Betrieb ist.
- Lassen Sie das Gerät niemals angeschlossen und unbeaufsichtigt, wenn es nicht in Gebrauch ist. Das spart Energie und verlängert die Lebensdauer des Geräts.
- Legen Sie das Gerät während des Betriebs niemals auf eine Oberfläche.
- Verwenden Sie das Gerät nicht auf Körperteilen von Menschen oder Tieren.
- Verwenden Sie das Gerät nicht zum Trocknen von Textilien jeglicher Art.
- Das Drehen des Thermostatreglers auf die Minima-leinstellung (MIN) bedeutet nicht, dass das Bügeleisen dauerhaft ausgeschaltet ist.

VERWENDUNG UND PFLEGE

- Ziehen Sie das Netzkabel des Geräts vor jedem Gebrauch vollständig heraus.
- Benutzen Sie das Gerät nicht, wenn das daran befestigte Zubehör defekt ist. Ersetzen Sie sie sofort.
- Benutzen Sie den Griff, wenn Sie das Gerät anheben oder bewegen.
- Benutzen Sie das Gerät nicht, wenn es umgekippt ist, und drehen Sie es nicht um.
- Drehen Sie das Gerät nicht um, während es in Betrieb oder an das Stromnetz angeschlossen ist.
- Um die Antihafbeschichtung zu erhalten, sollten Sie keine metallischen oder spitzen Utensilien darauf verwenden.
- Beachten Sie die MAX-Füllstandsanzeige. (Abb. 1).
- Trennen Sie das Gerät vom Stromnetz, wenn es nicht benutzt wird und bevor Sie es reinigen.
- Bewahren Sie dieses Gerät außerhalb der Reichweite von Kindern und/oder Personen mit körperlichen, sensorischen oder geistigen Einschränkungen oder mangelnder Erfahrung und Kenntnis auf.

BESCHREIBUNG

- | | |
|---|-------------------------------|
| A | Sprühknopf |
| B | Dampfstoßtaste |
| C | Regelung des Dampfdurchsatzes |
| D | Auto-Reinigungs-Taste |
| E | Temperaturregler |
| F | Kontrollleuchte |
| G | Einfüllstutzen |
| H | Sprühdüse |
| I | Sohlenplatte |

ANWEISUNGEN FÜR DEN GEBRAUCH

VOR DER VERWENDUNG

- Vergewissern Sie sich, dass alle Verpackungen des Produkts entfernt worden sind.
- Bitte lesen Sie die Broschüre "Sicherheitshinweise und Warnungen" vor dem ersten Gebrauch sorgfältig durch.

- Einige Teile des Geräts sind leicht eingefettet. Daher kann bei der ersten Benutzung des Geräts leichter Rauch auftreten. Nach kurzer Zeit wird dieser Rauch verschwinden.
- Um den Geruch zu beseitigen, den das Gerät bei der ersten Benutzung abgibt, wird empfohlen, es 10 Minuten lang in einem gut belüfteten Raum mit voller Leistung laufen zu lassen.
- Bereiten Sie das Gerät entsprechend der Funktion vor, die Sie verwenden möchten:

BEFÜLLUNG MIT WASSER

- Um mit Dampf arbeiten zu können, muss der Wassertank unbedingt mit Wasser gefüllt sein.
- Bevor der Wassertank mit Wasser gefüllt wird, muss der Stecker aus der Steckdose gezogen werden.
- Öffnen Sie den Deckel des Einfüllstutzens.
- Füllen Sie den Wassertank und achten Sie dabei auf den MAX-Füllstand. (Abb. 1).
- Schließen Sie den Deckel des Einfüllstutzens.

VERWENDEN SIE

- Ziehen Sie das Netzkabel vollständig heraus, bevor Sie es einstecken.
 - Schließen Sie das Gerät an das Stromnetz an.
 - Drehen Sie den Temperaturregler (E) auf die gewünschte Temperaturposition.
 - Verwenden Sie keine höheren Temperaturen als die, die auf den zu behandelnden Kleidungsstücken angegeben sind.
- | | |
|-----|--|
| ● | Temperatur für synthetische Fasern (Polyester, Nylon). |
| ●● | Temperatur für Seide, Wolle. |
| ●●● | Temperatur für Baumwolle. |
| Max | Temperatur für Wäsche. |

- Wenn das Kleidungsstück aus verschiedenen Fasern besteht, wählen Sie die Temperatur für die Faser, die die niedrigste Temperatur benötigt. (Wählen Sie zum Beispiel die Temperatur für Polyester für einen Artikel, der zu 60 % aus Polyester und zu 40 % aus Baumwolle besteht).
- Warten Sie, bis die Kontrollleuchte (F) erloschen ist, was bedeutet, dass das Gerät eine ausreichende Temperatur erreicht hat.
- Während des Betriebs des Geräts schaltet sich die Kontrollleuchte (F) automatisch ein und aus, um anzuzeigen, dass die Heizelemente in Betrieb sind und somit die gewünschte Temperatur aufrechterhalten.

TROCKENES BÜGELN

- Das Gerät ist mit einem Dampfmengenregler (C) ausgestattet, der in der Minimalstellung trockenes Bügeln (ohne Dampf) ermöglicht.

DAMPFBÜGELN

- Es ist möglich, mit Dampf zu bügeln, wenn der Wassertank mit Wasser gefüllt ist und eine angemessene Temperatur gewählt wurde.

REGELUNG DES DAMPF DURCHSATZES

- Das Gerät ist mit einem Dampfdurchflussregler (C) ausgestattet, mit dem der Dampfdurchfluss geregelt werden kann.

SPRAY

- Das Spray kann sowohl beim Dampf- als auch beim Trockenbügeln verwendet werden.
- Drücken Sie die Sprühtaste (A), um diese Funktion zu nutzen.
- Um den ersten Sprühstoß auszulösen, muss der Sprühknopf wiederholt gedrückt werden.

DAMPFSTOSS

- Diese Funktion sorgt für zusätzlichen Dampf zur Beseitigung von Falten.
- Drücken Sie die Dampffunktionstaste (B). Warten Sie einige Sekunden, bis der Dampf die Fasern des Kleidungsstücks durchdrungen hat, bevor Sie den Knopf erneut drücken. Um eine optimale Dampfqualität zu erzielen, sollten Sie nicht mehr als drei aufeinanderfolgende Dampfstöße durchführen.
- Die Taste für den Dampfstoß muss wiederholt gedrückt werden, um den ersten Schuss auszulösen.

VERTIKALES DÄMPFEN

- Es ist möglich, hängende Vorhänge, Kleidungsstücke auf Kleiderbügeln usw. zu bügeln. Folgen Sie dazu den Anweisungen:
 - Wählen Sie die maximale Temperatur des Bügeleisens, indem Sie den Temperaturregler des Bügeleisens im Uhrzeigersinn drehen. (Abb. 2).
 - Bewegen Sie das Bügeleisen von oben nach unten, während Sie die Dampfstoßtaste drücken. (B).
- Wichtig: Bei Baumwolle und Leinen empfiehlt es sich, den Bügelsockel mit dem Material in Kontakt zu bringen. Bei anderen, empfindlicheren Fasern empfiehlt es sich, den Bügelsockel in einigen Zentimetern Abstand zu halten.

WENN SIE DAS GERÄT NICHT MEHR BENUTZEN

- Wählen Sie die Minimalposition (MIN) mit Hilfe des Thermostatreglers.
- Ziehen Sie den Netzstecker des Geräts aus der Steckdose.
- Abkühlen lassen.
- Entfernen Sie das Wasser aus dem Inneren des Geräts.
- Reinigen Sie das Gerät.

SICHERHEITSWÄRMEISOLIERUNG

- Das Gerät ist mit einer Sicherheitsvorrichtung ausgestattet, die das Gerät vor Überhitzung schützt.

REINIGUNG

- Trennen Sie das Gerät vom Stromnetz und lassen Sie es abkühlen, bevor Sie mit der Reinigung beginnen.
- Reinigen Sie das Gerät mit einem feuchten Tuch und ein paar Tropfen Spülmittel und trocknen Sie es dann ab.
- Verwenden Sie zur Reinigung des Geräts keine Lösungsmittel oder Produkte mit saurem oder basischem pH-Wert, wie z. B. Bleichmittel, oder Scheuermittel.
- Tauchen Sie das Gerät niemals in Wasser oder eine andere Flüssigkeit ein und halten Sie es nicht unter fließendes Wasser.

SELBSTREINIGUNGSFUNKTION

- Es ist wichtig, das Gerät mindestens einmal im Monat selbst zu reinigen, um Kalk und andere Mineralien, die sich im Inneren des Bügeleisens angesammelt haben, zu entfernen.
- Füllen Sie den Wassertank bis zum Höchststand auf, wie im Abschnitt "Auffüllen mit Wasser" angegeben.
- Stellen Sie das Bügeleisen in die senkrechte Position, schließen Sie es an das Stromnetz an und wählen Sie die Höchsttemperatur.
- Lassen Sie das Gerät aufheizen, bis die Kontrollleuchte anzeigt, dass es die vorgesehene Temperatur erreicht hat.
- Ziehen Sie den Netzstecker und stellen Sie das Gerät in die Spüle.
- Drücken Sie die Taste für die automatische Reinigung (D), und halten Sie sie gedrückt.
- Lassen Sie das Wasser durch die Dampfdüsen im Boden ausströmen und schütteln Sie dabei das Gerät leicht.
- Lassen Sie die Taste nach einer Minute oder wenn der Tank leer ist, los.
- Lassen Sie das Bügeleisen in vertikaler Position stehen, bis es abgekühlt ist.

WIE MAN MIT KALKVERKRUSTUNGEN UMGEGT

- Damit das Gerät einwandfrei funktioniert, muss es frei von Kalk- oder Magnesiumverkrustungen sein, die durch die Verwendung von hartem Wasser entstehen.
- Um diese Art von Problemen zu vermeiden, empfehlen wir die Verwendung von Wasser mit geringer Kalk- oder Magnesiummineralisierung.
- Hausgemachte Lösungen, wie z. B. die Verwendung von Essig, werden für die Entkalkung dieses Geräts nicht empfohlen.

BETRIEB

- Unsachgemäße Verwendung oder Nichteinhaltung der Gebrauchsanweisung kann Gefahren zur Folge haben und führt zum Erlöschen der Garantieansprüche sowie der Haftung des Herstellers.

STÖRUNGEN UND REPARATUR

- Bei Schäden und Störungen bringen Sie das Gerät zu einem zugelassenen Technischen Kundendienst. Versuchen Sie nicht, das Gerät selbst auseinanderzubauen und zu reparieren. Das könnte Gefahren zur Folge haben.

GARANTIE UND TECHNISCHE UNTERSTÜTZUNG

- Dieses Produkt genießt die Anerkennung und den Schutz der gesetzlichen Garantie in Übereinstimmung mit der geltenden Gesetzgebung. Um Ihre Rechte oder Interessen durchzusetzen, müssen Sie sich an einen unserer offiziellen technischen Hilfsdienste wenden.
- Den nächstgelegenen finden Sie unter folgendem Link: <https://www.blackanddecker.eu/>
- Sie können auch verwandte Informationen anfordern, indem Sie uns kontaktieren.
- Sie können diese Gebrauchsanweisung und ihre Aktualisierungen unter <https://www.blackanddecker.eu/> herunterladen.

**FÜR DIE EU-AUSFÜHRUNGEN DES PRODUKTS
UND/ODER FÜR LÄNDER, IN DENEN DIESE
VORSCHRIFTEN ANZUWENDEN SIND
ÖKOLOGIE UND RECYCLING DES PRODUKTS**

- Die zur Herstellung des Verpackungsmaterials dieses Geräts verwendeten Materialien sind im Sammel-, Klassifizierungs- und Recyclingsystem integriert. Wenn Sie es entsorgen möchten, können Sie die öffentlichen Container für die einzelnen Materialarten verwenden.
- Das Produkt ist frei von umweltschädlichen Konzentrationen von Substanzen.



Dieses Symbol weist darauf hin, dass das Produkt, wenn Sie es am Ende seiner Lebensdauer entsorgen wollen, in geeigneter Weise bei einer zugelassenen Entsorgungsstelle abzugeben ist, um die getrennte Sammlung von Elektro- und Elektronikgeräte-Abfall (WEEE) sicherzustellen.

- Dieses Gerät erfüllt die Richtlinie 2014/35/EU über Niederspannung, die Richtlinie 2014/30/EU über elektromagnetische Verträglichkeit, die Richtlinie 2011/65/EU zur Beschränkung der Verwendung bestimmter gefährlicher Stoffe in Elektro- und Elektronikgeräten und die Richtlinie 2009/125/EC über die Anforderungen an die umweltgerechte Gestaltung energiebetriebener Produkte.

Informationen über besonders besorgniserregende Stoffe (SVHC) gemäß der Verordnung 1907/2006/EG (REACH).
Dieses Produkt enthält die folgenden SVHC-Stoffe:

Blei (Pb), CAS-Nummer: 7439-92-1 Cadmium (Cd),
CAS-Nummer: 7440-43-9 Dodecamethylcyclohexasiloxan
(D6), CAS-Nummer: 540-97-64-tert-Butylphenol (PTBP),
CAS-Nummer: 98-54-4

Black & Decker® und BLACK+DECKER™ sowie die Black & Decker® und BLACK+DECKER™ Logos sind eingetragene Marken der The Black & Decker® Corporation und werden unter Lizenz verwendet. Alle Rechte vorbehalten.
Importiert und vertrieben von ENGINEERING AND TECHNOLOGY FOR LIFE, S.L. Avda. Barcelona s/n Oliana, 25790, Spain

FERRO DA STIRO A VAPORE BXIR2606E, BXIR2805E

Egregio cliente,

Grazie per aver scelto di acquistare un prodotto del marchio Black+Decker.

La sua tecnologia, il suo design e la sua funzionalità, oltre al fatto di aver superato le più rigorose norme di qualità, le assicureranno una totale e durevole soddisfazione.

CONSIGLI E AVVERTENZE DI SICUREZZA

- Prima di utilizzare l'apparecchio, leggere attentamente le istruzioni riportate nel presente opuscolo e conservarlo per future consultazioni. La mancata osservanza delle presenti istruzioni può essere causa di incidenti.
- Questo apparato può essere utilizzato da persone che non ne conoscono il funzionamento, persone disabili o bambini di età superiore agli 8 anni, ma esclusivamente sotto la sorveglianza di un adulto o nel caso abbiano ricevuto le dovute istruzioni per utilizzarlo in completa sicurezza e ne comprendano i rischi. I bambini non devono giocare con l'apparecchio. La pulizia e la manutenzione da parte dell'utente non devono essere eseguite da bambini senza supervisione.
- Questo apparecchio non è destinato all'uso da parte di persone (compresi i bambini) con ridotte capacità fisiche, sensoriali o mentali, o con mancanza di esperienza e conoscenza, a meno che non siano state supervisionate o istruite in merito all'apparecchio da

una persona responsabile della loro sicurezza.

- Assicurarsi che i bambini non giochino con l'apparecchio.
- Tenere il ferro e il suo cavo fuori dalla portata dei bambini di età inferiore a 8 anni quando è acceso o in fase di raffreddamento.
- Il ferro non deve essere lasciato incustodito mentre è collegato alla rete di alimentazione.
- La spina deve essere rimossa dalla presa di corrente prima di riempire d'acqua il serbatoio.
- Il ferro deve essere utilizzato e appoggiato su una superficie piana e stabile.
- Quando si posiziona il ferro da stiro sul suo supporto, assicurarsi che la superficie su cui è posizionato il supporto sia stabile.
- Il ferro non deve essere utilizzato se è caduto, se presenta segni visibili di danneggiamento o se perde.
- Se il cavo di alimentazione è danneggiato farlo sostituire dal produttore, da un servizio di assistenza post-vendita o da personale qualificato per evitare pericoli.
- Questo apparecchio è destinato unicamente ad un uso domestico, non professionale o industriale.



ATTENZIONE: durante l'uso, le superfici possono surriscaldarsi.

- Questo apparecchio deve essere collegato solo a un'alimentazione con un'impedenza di sistema pari o inferiore a $Z_{sys} = 0,291\Omega$. Prima di collegare il prodotto alla rete

elettrica pubblica, contattare l'autorità locale preposta alla fornitura di energia elettrica per assicurarsi che l'alimentazione soddisfi i requisiti di cui sopra.

- Prima di collegare l'apparecchio alla rete elettrica, verificare che il voltaggio indicato sulla targhetta caratteristiche e il selettore di voltaggio corrispondano al voltaggio della rete.
- Collegli l'apparecchio a una presa di corrente di almeno 16 ampere.
- Verificare che la presa sia adatta alla spina dell'apparecchio. Non apportare alcuna modifica alla spina. Non usare adattatori.
- Non utilizzare l'apparecchio se il cavo di alimentazione o la spina fossero danneggiati.
- Se l'involucro dell'apparecchio si rompe, scollegli immediatamente l'apparecchio dalla rete elettrica per evitare la possibilità di una scossa elettrica.
- Non tiri il cavo di alimentazione. Non usare mai il cavo elettrico per sollevare, trasportare o scollegare l'apparecchio.
- Non avvolgere il cavo di alimentazione attorno all'apparecchio.
- Controlli lo stato del cavo di alimentazione. I cavi danneggiati o attorcigliati aumentano il rischio di scariche elettriche.
- Non lasciare che il cavo di collegamento penda liberamente o entri in contatto con le superfici calde dell'apparecchio.
- Non toccare mai la spina con le mani bagnate.
- Non usare o esporre l'apparecchio alle intemperie.
- Non lasciare l'apparecchio sotto la pioggia o in luoghi umidi. Le infiltrazioni d'acqua aumentano il rischio di scariche elettriche.
- La temperatura delle superfici accessibili può essere elevata quando l'apparecchio è in funzione.
- Non toccare le parti riscaldate per non incorrere in gravi ustioni.

USO E CURA

- Prima di ogni utilizzo, estendere completamente il cavo di alimentazione dell'apparecchio.
- Non utilizzare l'apparecchio se gli accessori ad esso collegati sono difettosi. Sostituirli immediatamente.
- Utilizzare la maniglia quando si solleva o si sposta l'apparecchio.
- Non utilizzare l'apparecchio se è rovesciato e non capovolgerlo.
- Non capovolgere l'apparecchio mentre è in uso o collegato alla rete elettrica.

- Per mantenere il trattamento antiaderente in buone condizioni, non utilizzare utensili metallici o appuntiti.
- Rispettare l'indicatore di livello MAX. (Fig. 1).
- Scollegare l'apparecchio dalla rete elettrica quando non viene utilizzato e prima di effettuare qualsiasi operazione di pulizia.
- Conservare questo apparecchio fuori dalla portata dei bambini e/o di persone con problemi fisici, sensoriali o mentali ridotti o con mancanza di esperienza e conoscenza.
- Non conservare o trasportare l'apparecchio se è ancora caldo.
- Per un corretto funzionamento, mantenere la piastra in buone condizioni; non operare su oggetti metallici (parti metalliche dell'asse da stiro, bottoni, cerniere, ecc.)
- È consigliabile utilizzare acqua distillata, soprattutto se l'acqua della vostra zona contiene argilla o se è "dura" (contiene calcare o magnesio).
- Prima di avviare l'apparecchio, verificare che il coperchio del bocchettone di riempimento sia chiuso correttamente.
- Non lasciare mai l'apparecchio incustodito mentre è in funzione.
- Non lasciare mai l'apparecchio collegato e incustodito se non viene utilizzato. In questo modo si risparmia energia e si prolunga la vita dell'apparecchio.
- Non appoggiare mai l'apparecchio su una superficie durante l'uso.
- Non utilizzare l'apparecchio su alcuna parte del corpo di persone o animali.
- Non utilizzare l'apparecchio per asciugare tessuti di qualsiasi tipo.
- L'impostazione del termostato al minimo (MIN) non significa che il ferro da stiro sia spento in modo permanente.

DESCRIZIONE

A	Pulsante spray
B	Pulsante per il getto di vapore
C	Controllo del flusso di vapore
D	Pulsante di pulizia automatica
E	Regolatore di temperatura
F	Luce pilota
G	Beccuccio di riempimento
H	Ugello a spruzzo
I	Piastra

ISTRUZIONI PER L'USO

PRIMA DELL'USO

- Assicurarsi che tutti gli imballaggi del prodotto siano stati rimossi.
- Prima del primo utilizzo, leggere attentamente la sezione "Avvertenze e consigli di sicurezza".
- Alcune parti dell'apparecchio sono state leggermente ingrassate. Di conseguenza, al primo utilizzo dell'apparecchio può essere rilevato un leggero fumo. Dopo poco tempo, il fumo scomparirà.
- Per eliminare l'odore emanato dall'apparecchio al primo utilizzo, si consiglia di tenerlo acceso alla massima potenza per 10 minuti in una stanza ben ventilata.
- Preparare l'apparecchio in base alla funzione che si desidera utilizzare:

RIEMPIMENTO CON ACQUA

- Per poter lavorare con il vapore è indispensabile aver riempito d'acqua il serbatoio.
- La spina deve essere rimossa dalla presa di corrente prima di riempire d'acqua il serbatoio.
- Aprire il coperchio del bocchettone di riempimento.
- Riempire il serbatoio dell'acqua, facendo attenzione al livello MAX. (Fig. 1).
- Chiudere il coperchio del bocchettone di riempimento.

USA

- Estendere completamente il cavo di alimentazione prima di collegarlo.
- Collegare l'apparecchio alla rete elettrica.
- Ruotare il regolatore di temperatura (E) sulla posizione di temperatura desiderata.
- Non utilizzare temperature superiori a quelle indicate sui capi da trattare.

● Temperatura per le fibre sintetiche (poliestere, nylon).

●● Temperatura per seta e lana.

●●● Temperatura per il cotone.

Massimo Temperatura per la biancheria.

- Se l'indumento presenta diversi tipi di fibre, selezionare la temperatura per la fibra che richiede la temperatura più bassa. (Ad esempio, selezionare la temperatura per il poliestere per un articolo composto da 60% poliestere e 40% cotone).
- Attendere lo spegnimento della fiamma pilota (F), che indica che l'apparecchio ha raggiunto una temperatura adeguata.

- Durante l'utilizzo dell'apparecchio, la fiamma pilota (F) si accende e si spegne automaticamente, indicando che gli elementi riscaldanti sono in funzione e quindi mantengono la temperatura desiderata.

STIRATURA A SECCO

- L'apparecchio è dotato di un regolatore di flusso del vapore (C) che consente di stirare a secco (senza vapore) quando è posizionato al minimo.

STIRATURA A VAPORE

- È possibile stirare a vapore quando il serbatoio dell'acqua è pieno d'acqua e si seleziona una temperatura adeguata.

CONTROLLO DEL FLUSSO DI VAPORE

- L'apparecchio è dotato di un regolatore di flusso del vapore (C) che consente di controllare il flusso di vapore.

SPRAY

- Lo spray può essere utilizzato sia per la stiratura a vapore che a secco.
- Premere il pulsante di spruzzatura (A) per utilizzare questa operazione.
- Il pulsante di erogazione deve essere premuto ripetutamente per rilasciare il primo spruzzo.

ESPLOSIONE DI VAPORE

- Questa funzione fornisce un vapore supplementare per eliminare le rughe.
- Premere il pulsante di erogazione del vapore (B). Attendere qualche secondo finché il vapore non penetra nelle fibre dell'indumento prima di premere nuovamente il pulsante. Per una qualità ottimale del vapore, non applicare più di tre soffi successivi.
- Il pulsante di erogazione del vapore deve essere premuto ripetutamente per rilasciare il primo colpo.

VAPORIZZAZIONE VERTICALE

- È possibile stirare tende appese, capi di abbigliamento appesi, ecc. Per farlo, seguire le istruzioni:
 - Selezionare la temperatura massima del ferro ruotando il regolatore di temperatura in senso orario. (Fig. 2).
 - Muovere il ferro in direzione dall'alto verso il basso mentre si preme il pulsante di erogazione del vapore. (B).
- Importante: per il cotone e il lino, si consiglia di mettere la base di ferro a contatto con il materiale. Per altre fibre più delicate, si consiglia di mantenere la base di ferro a qualche centimetro di distanza.

AL TERMINE DELL'UTILIZZO DELL'APPARECCHIO

- Selezionare la posizione minima (MIN) utilizzando il comando del termostato.
- Scollegare l'apparecchio dalla rete elettrica.
- Lasciare raffreddare.
- Rimuovere l'acqua dall'interno dell'apparecchio.
- Pulire l'apparecchio.

PROTETTORE TERMICO DI SICUREZZA

- L'apparecchio è dotato di un dispositivo di sicurezza che lo protegge dal surriscaldamento.

PULIZIA

- Scollegare l'apparecchio dalla rete elettrica e lasciarlo raffreddare prima di effettuare qualsiasi operazione di pulizia.
- Pulire l'apparecchiatura con un panno umido e qualche goccia di detersivo, quindi asciugarla.
- Per la pulizia dell'apparecchio non utilizzare solventi o prodotti con un pH acido o basico, come la candeggina, o prodotti abrasivi.
- Non immergere mai l'apparecchio in acqua o in altri liquidi, né metterlo sotto l'acqua corrente.

FUNZIONE DI AUTOPULIZIA

- È importante effettuare l'autopulizia dell'apparecchio almeno una volta al mese per rimuovere il calcio e gli altri minerali accumulati all'interno del ferro.
- Riempire il serbatoio dell'acqua fino al livello massimo, come indicato nella sezione "Riempimento dell'acqua".
- Posizionare il ferro in verticale, collegarlo alla rete elettrica e selezionare la temperatura massima.
- Lasciare riscaldare l'apparecchio finché la spia luminosa non indica che ha raggiunto la temperatura prevista.
- Scollegare l'apparecchio e metterlo nel lavandino.
- Premere il pulsante di autopulizia (D) e tenerlo premuto.
- Lasciar defluire l'acqua attraverso le aperture per il vapore della base, scuotendo leggermente l'apparecchio.
- Rilasciare il pulsante dopo un minuto o quando il serbatoio è vuoto.
- Lasciare il ferro in posizione verticale finché non si è raffreddato.

COME AFFRONTARE LE INCROSTAZIONI DI CALCARE

- Affinché l'apparecchio funzioni correttamente, deve essere mantenuto privo di incrostazioni di calcare o magnesio causate dall'uso di acqua dura.
- Per evitare questo tipo di problema, si consiglia di utilizzare acqua a bassa mineralizzazione di calcare o magnesio.

- Per la decalcificazione di questo apparecchio non sono consigliate soluzioni casalinghe, come l'uso di aceto.

SERVIZIO

- Il produttore invalida la garanzia e declina ogni responsabilità in caso di uso inappropriato dell'apparecchio o non conforme alle istruzioni d'uso.

ANOMALIE E RIPARAZIONI

- In caso di guasto, rivolgersi ad un Centro d'Assistenza Tecnica autorizzato. Non tentare di smontare o di riparare l'apparecchio: può essere pericoloso.

GARANZIA E ASSISTENZA TECNICA

- Questo prodotto gode del riconoscimento e della tutela della garanzia legale in conformità alla normativa vigente. Per far valere i suoi diritti o interessi, deve rivolgersi a uno dei nostri servizi ufficiali di assistenza tecnica.
- È possibile trovare quello più vicino accedendo al seguente link web: <https://www.blackanddecker.eu/>
- Può anche richiedere informazioni correlate contattandoci.
- È possibile scaricare questo manuale di istruzioni e i relativi aggiornamenti all'indirizzo <https://www.blackanddecker.eu/>.

PER I PRODOTTI DELL'UNIONE EUROPEA E/O NEL CASO IN CUI SIA PREVISTO DALLA LEGISLAZIONE DEL SUO PAESE DI ORIGINE PRODOTTO ECOLOGICO E RICICLABILE

- I materiali che costituiscono l'imballaggio di questo apparecchio sono compresi in un sistema di raccolta, classificazione e riciclaggio degli stessi. Per lo smaltimento, utilizzare gli appositi contenitori pubblici, adatti per ogni tipo di materiale.
- Il prodotto non contiene concentrazioni di sostanze considerate dannose per l'ambiente.



Questo simbolo indica che, per smaltire il prodotto al termine della sua durata utile, occorre depositarlo presso un ente di smaltimento autorizzato alla raccolta differenziata di rifiuti di apparecchiature elettriche ed elettroniche (RAEE).

- Questo apparecchio rispetta la Direttiva 2014/35/EU di Bassa Tensione, la Direttiva 2014/30/EU di Compatibilità Elettromagnetica, la Direttiva 2011/65/EU sui limiti d'impiego di determinate sostanze pericolose negli apparecchi elettrici ed elettronici e la Direttiva 2009/125/EC riguardante l'Ecodesign dei prodotti che consumano energia.

Informazioni sulle sostanze estremamente problematiche (SVHC) secondo il Regolamento 1907/2006/CE (REACH). Questo prodotto contiene le seguenti sostanze SVHC:

Piombo (Pb), Numero CAS: 7439-92-1 Cadmio (Cd), Numero CAS: 7440-43-9 Dodecametilcicloesilossano (D6), Numero CAS: 540-97-64-terz-butilfenolo (PTBP), Numero CAS: 98-54-4

Black & Decker® e BLACK+DECKER™ e i loghi Black & Decker® e BLACK+DECKER™ sono marchi registrati di The Black & Decker® Corporation e sono utilizzati su licenza. Tutti i diritti riservati.

Importato e distribuito da ENGINEERING AND TECHNOLOGY FOR LIFE, S.L. Avda. Barcelona s/n Oliana, 25790, Spain

PLANCHA DE VAPOR BXIR2606E, BXIR2805E

Distinguido cliente,

Muchas gracias por elegir comprar un producto de la marca Black+Decker.

Su tecnología, diseño y funcionalidad, junto con el hecho de superar las más estrictas normas de calidad le comportarán total satisfacción durante mucho tiempo.

CONSEJOS DE SEGURIDAD Y ADVERTENCIAS

- Lea atentamente estas instrucciones antes de poner en marcha el aparato y consérvelas para futuras consultas. La no observación y cumplimiento de estas instrucciones pueden comportar como resultado un accidente.
- Este aparato pueden utilizarlo niños con edad de 8 años y superior y personas con capacidades físicas, sensoriales o mentales reducidas o falta de experiencia y conocimiento, si se les ha dado la supervisión o formación apropiadas respecto al uso del aparato de una manera segura y comprenden los peligros que implica. Los niños no deben jugar con el aparato. La limpieza y el mantenimiento a realizar por el usuario no deben realizarlos los niños sin supervisión.
- Mantenga la plancha y su cable fuera del alcance de los niños menores de 8 años cuando esté energizada o se esté enfriando.
- La plancha no debe dejarse sin vigilancia mientras esté conectada a la alimentación.

- La clavija de toma de corriente del cable de alimentación debe ser retirada de la base de toma de corriente antes de rellenar el depósito de agua.
- La plancha debe utilizarse y colocarse sobre una superficie plana y estable.
- Cuando coloque la plancha sobre su soporte, asegúrese de que la superficie sobre la que se coloca el soporte es estable.
- No utilizar la plancha si se ha caído, si hay señales visibles de daño o si existe fuga.
- Si el cable de alimentación está dañado, debe ser sustituido por el fabricante, por su servicio posventa o por personal cualificado similar con el fin de evitar un peligro.
- Este aparato está pensado únicamente para un uso doméstico, no para uso profesional o industrial.



PRECAUCIÓN: La temperatura de las superficies accesibles puede ser elevada cuando el aparato está en funcionamiento.

- Este aparato deberá conectarse únicamente a un suministro con una impedancia del sistema de $Z_{sys} = 0,291\Omega$ o inferior. Antes de conectar el producto a la red eléctrica pública, póngase en contacto con la autoridad local de suministro eléctrico para asegurarse de que la red eléctrica cumple el requisito anterior.
- Antes de conectar el aparato a la red, verificar que el voltaje indicado en la placa de características coincide con el voltaje de red.
- Conectar el aparato a una toma de corriente que soporte como mínimo 16 amperios.
- La clavija del aparato debe coincidir con la base eléctrica de la toma de corriente. Nunca modificar la clavija. No usar adaptadores de clavija.

- No utilizar el aparato con el cable eléctrico o la clavija dañada.
- Si se rompe la carcasa del aparato, desconectar inmediatamente el aparato de la red eléctrica para evitar la posibilidad de sufrir una descarga eléctrica.

USO Y MANTENIMIENTO

- Extienda completamente el cable de alimentación del aparato antes de cada uso.
- No utilice el aparato si los accesorios que lleva están defectuosos. Sustitúyalos inmediatamente.
- Utilice el asa para levantar o mover el aparato.
- No utilice el aparato si está inclinado hacia arriba ni le dé la vuelta.
- No voltee el aparato mientras esté en uso o conectado a la red eléctrica.
- Para mantener en buen estado el tratamiento antiadherente, no utilice utensilios metálicos o puntiagudos sobre ella.
- Respete el indicador de nivel MAX. (Fig. 1).
- Desconecte el aparato de la red eléctrica cuando no lo utilice y antes de emprender cualquier tarea de limpieza.
- Guarde este aparato fuera del alcance de los niños y/o personas con discapacidad física, sensorial o mental reducida o con falta de experiencia y conocimientos.
- No almacene ni transporte el aparato si aún está caliente.
- Para un funcionamiento correcto, mantenga la suela en buen estado; no la utilice sobre objetos metálicos (piezas metálicas de la tabla de planchar, botones, cremalleras, etc.)
- Es aconsejable utilizar agua destilada, sobre todo si el agua de su zona contiene arcilla o es "dura" (contiene cal o magnesio).
- Compruebe que la tapa de la boca de llenado está bien cerrada antes de poner en marcha el aparato.
- No deje nunca el aparato desatendido mientras esté en uso.
- No deje nunca el aparato conectado y sin vigilancia si no se está utilizando. Esto ahorra energía y prolonga la vida útil del aparato.
- No apoye nunca el aparato sobre una superficie mientras esté en uso.
- No utilice el aparato sobre ninguna parte del cuerpo de personas o animales.
- No utilice el aparato para secar tejidos de ningún tipo.
- Poner el termostato en la posición mínima (MIN) no significa que la plancha se apague permanentemente.

DESCRIPCIÓN

A	Botón de pulverización
B	Botón de chorro de vapor
C	Control del flujo de vapor
D	Botón de autolimpieza
E	Regulador de temperatura
F	Luz piloto
G	Boca de llenado
H	Boquilla pulverizadora
I	Suela

INSTRUCCIONES DE USO

ANTES DEL USO

- Asegúrese de que se ha retirado todo el embalaje del producto.
- Lea atentamente el apartado "Consejos de seguridad y advertencias" antes de utilizarlo por primera vez.
- Algunas partes del aparato han sido ligeramente engrasadas. Por consiguiente, la primera vez que se utilice el aparato, es posible que se detecte un ligero humo. Al cabo de poco tiempo, este humo desaparecerá.
- Para eliminar el olor que desprende el aparato cuando se utiliza por primera vez, se recomienda tenerlo encendido a máxima potencia durante 10 minutos en una habitación bien ventilada.
- Prepare el aparato según la función que desee utilizar:

LLENADO CON AGUA

- Es imprescindible haber llenado el depósito de agua para poder trabajar con vapor.
- El tapón debe retirarse de la toma de corriente antes de llenar el depósito de agua.
- Abra la tapa de la boca de llenado.
- Llene el depósito de agua, teniendo cuidado de observar el nivel MAX. (Fig. 1).
- Cierre la tapa de la boca de llenado.

UTILICE

- Extienda completamente el cable de alimentación antes de enchufarlo.
- Conecte el aparato a la red eléctrica.
- Gire el regulador de temperatura (E) hasta la posición de temperatura deseada.
- No utilizar temperaturas superiores a las indicadas en las prendas a tratar.

- Temperatura para fibras sintéticas (poliéster, nailon).
- Temperatura para seda, lana.
- Temperatura para el algodón.
- Max Temperatura para la ropa blanca.

- Si la prenda tiene varios tipos de fibras, seleccione la temperatura para la fibra que requiera la temperatura más baja. (Por ejemplo, seleccione la temperatura para poliéster para un artículo fabricado con un 60% de poliéster y un 40% de algodón).
- Espere hasta que el piloto (F) se haya apagado, lo que indicará que el aparato ha alcanzado una temperatura adecuada.
- Durante el uso del aparato, el piloto (F) se encenderá y apagará automáticamente, indicando que las resistencias están funcionando y, por tanto, manteniendo la temperatura deseada.

PLANCHADO EN SECO

- El aparato dispone de un regulador de caudal de vapor (C) que permite el planchado en seco (sin vapor) cuando se coloca en la posición mínima.

PLANCHADO A VAPOR

- Es posible planchar con vapor siempre que el depósito esté lleno de agua y se seleccione una temperatura adecuada.

CONTROL DEL FLUJO DE VAPOR

- El aparato dispone de un regulador de caudal de vapor (C) que permite controlar el caudal de vapor.

PULVERIZADOR

- El spray puede utilizarse tanto en el planchado a vapor como en seco.
- Pulse el botón de pulverización (A) para utilizar esta operación.
- Hay que pulsar repetidamente el botón de pulverización para liberar la primera pulverización.

CHORRO DE VAPOR

- Esta función proporciona vapor adicional para eliminar las arrugas.
- Pulse el botón de chorro de vapor (B). Espere unos segundos hasta que el vapor penetre en las fibras de la prenda antes de volver a pulsar el botón. Para obtener una calidad óptima del vapor, no aplique más de tres chorros sucesivos.
- Hay que pulsar repetidamente el botón de chorro de vapor para liberar el primer disparo.

VAPORIZACIÓN VERTICAL

- Es posible planchar cortinas colgadas, prendas de ropa en su percha, etc. Para ello, siga las instrucciones:
 - Seleccione la temperatura máxima de la plancha girando el regulador de temperatura de la plancha en el sentido de las agujas del reloj. (Fig. 2).
 - Mueva la plancha de arriba abajo mientras pulsa el botón de chorro de vapor. (B).
- Importante: para el algodón y el lino, se recomienda poner la base de hierro en contacto con el material. Para otras fibras más delicadas, se recomienda mantener la base de hierro a unos centímetros de distancia.

CUANDO HAYA TERMINADO DE UTILIZAR EL APARATO

- Seleccione la posición mínima (MIN) mediante el mando del termostato.
- Desenchufe el aparato de la red eléctrica.
- Dejar enfriar.
- Elimine el agua del interior del aparato.
- Limpia el aparato.

PROTECTOR TÉRMICO DE SEGURIDAD

- El aparato dispone de un dispositivo de seguridad que lo protege contra el sobrecalentamiento.

LIMPIEZA

- Desconecte el aparato de la red eléctrica y deje que se enfríe antes de emprender cualquier tarea de limpieza.
- Limpie el equipo con un paño húmedo con unas gotas de detergente líquido y séquelo.
- No utilice disolventes o productos con pH ácido o básico, como lejía, ni productos abrasivos, para limpiar el aparato.
- No sumerja nunca el aparato en agua ni en ningún otro líquido, ni lo coloque bajo el grifo.

FUNCIÓN DE AUTOLIMPIEZA

- Es importante autolimpiar el aparato al menos una vez al mes para eliminar el calcio y cualquier otro mineral acumulado en el interior de la plancha.
- Llène el depósito de agua hasta su nivel máximo, tal y como se indica en el apartado "Llenado de agua".
- Coloque la plancha en posición vertical, enchúfela a la red eléctrica y seleccione la temperatura máxima.
- Deje que el aparato se caliente hasta que el piloto indique que ha alcanzado la temperatura consignada.
- Desenchufa el aparato y colócalo en el fregadero.

- Pulse el botón de autolimpieza (D) y manténgalo pulsado.
- Deje que el agua salga por los orificios de salida de vapor de la base mientras agita ligeramente el aparato.
- Suelte el botón al cabo de un minuto o cuando el depósito se vacíe.
- Deje la plancha en posición vertical hasta que se haya enfriado.

CÓMO TRATAR LAS INCRUSTACIONES CALCÁREAS

- Para que el aparato funcione correctamente, debe mantenerse libre de incrustaciones de cal o magnesio causadas por el uso de agua dura.
- Para evitar este tipo de problemas, se recomienda utilizar agua con baja mineralización de cal o magnesio.
- No se recomiendan soluciones caseras para desincrustar este aparato, como el uso de vinagre.

SERVICIO

- Toda utilización inadecuada, o en desacuerdo con las instrucciones de uso, puede comportar peligro, anulando la garantía y la responsabilidad del fabricante.

ANOMALÍAS Y REPARACIÓN

- En caso de avería lleve el aparato a un Servicio de Asistencia Técnica autorizado. No intente desmontarlo o repararlo ya que puede existir peligro.

GARANTÍA Y ASISTENCIA TÉCNICA

- Este producto goza del reconocimiento y la protección de la garantía legal de acuerdo con la legislación vigente. Para hacer valer sus derechos o intereses, debe dirigirse a cualquiera de nuestros servicios oficiales de asistencia técnica.
- Puede encontrar el más cercano accediendo al siguiente enlace web: <https://www.blackanddecker.eu/>
- También puede solicitar información relacionada poniéndose en contacto con nosotros.
- Puede descargar este manual de instrucciones y sus actualizaciones en <https://www.blackanddecker.eu/>.

PARA LAS VERSIONES EU DEL PRODUCTO Y/O EN EL CASO DE QUE EN SU PAÍS APLIQUE ECOLOGÍA Y RECICLABILIDAD DEL PRODUCTO

- Los materiales que constituyen el envase de este aparato, están integrados en un sistema de recogida, clasificación y reciclado de los mismos. Si desea deshacerse de ellos, puede utilizar los contenedores públicos apropiados para cada tipo de material.

- El producto está exento de concentraciones de sustancias que se puedan considerar dañinas para el medio ambiente.



Este símbolo significa que, si desea deshacerse del producto, una vez transcurrida la vida del mismo, debe depositarlo por los medios adecuados a manos de un gestor de residuos autorizado para la recogida selectiva de Residuos de Aparatos Eléctricos y Electrónicos (RAEE).

- Este aparato cumple con la Directiva 2014/35/EU de Baja Tensión, con la Directiva 2014/30/EU de Compatibilidad Electromagnética, con la Directiva 2011/65/EU sobre restricciones a la utilización de determinadas sustancias peligrosas en aparatos eléctricos y electrónicos y con la Directiva 2009/125/EC sobre los requisitos de diseño ecológico aplicable a los productos relacionados con la energía

Información relativa a las sustancias extremadamente preocupantes (SVHC) según el Reglamento 1907/2006/CE (REACH). Este producto contiene las siguientes sustancias SVHC:

Plomo (Pb), número CAS: 7439-92-1 Cadmio (Cd), número CAS: 7440-43-9 Dodecametilciclohexasiloxano (D6), número CAS: 540-97-64-terc-butilfenol (PTBP), número CAS: 98-54-4

Black & Decker® y BLACK+DECKER™ y los logotipos de Black & Decker® y BLACK+DECKER™ son marcas registradas de The Black & Decker® Corporation y se utilizan bajo licencia. Todos los derechos reservados. Importado y distribuido por ENGINEERING AND TECHNOLOGY FOR LIFE, S.L. Avda. Barcelona s/n Oliana, 25790, Spain

FERRO A VAPOR BXIR2606E, BXIR2805E

Caro cliente,

Muito obrigado por escolher comprar um produto da marca Black+Decker.

A sua tecnologia, design e funcionalidade, aliados às mais rigorosas normas de qualidade, garantir-lhe-ão uma total satisfação durante muito tempo.

CONSELHOS E AVISOS DE SEGURANÇA

- Leia atentamente este manual de instruções antes de ligar o aparelho e guarde-o para consultas futuras. A não observância e cumprimento destas instruções pode resultar em acidente.
- Este aparelho pode ser utilizado por pessoas não familiarizadas com a sua utilização, pessoas incapacitadas ou crianças a partir dos 8 anos, desde que o façam sob supervisão ou tenham recebido formação sobre a utilização segura do aparelho e compreendam os perigos que este acarreta. As crianças não devem brincar com o aparelho. A limpeza e manutenção do usuário não devem ser feitas por crianças sem supervisão.
- Mantenha o ferro e o seu cordão fora do alcance de crianças com menos de 8 anos de idade quando estiver energizado ou a arrefecer.
- O ferro não deve ser deixado desacompanhado enquanto estiver ligado à rede de alimentação.

- A ficha deve ser retirada da tomada antes de o reservatório de água ser enchido com água.
- O ferro deve ser utilizado e descansar sobre uma superfície plana e estável.
- Ao colocar o ferro no seu suporte, certifique-se de que a superfície sobre a qual o suporte é colocado é estável.
- O ferro não deve ser utilizado se tiver caído, se houver sinais visíveis de danos ou se estiver a vaziar.
- Se o cabo de alimentação estiver danificado, deve ser substituído pelo fabricante, pelo serviço pós-venda ou por pessoal semelhante qualificado com o fim de evitar riscos.
- Este aparelho foi concebido exclusivamente para uso doméstico, não para uso profissional ou industrial.



CUIDADO: As superfícies podem ficar quentes durante a utilização.

- Este aparelho só deve ser ligado a uma fonte de alimentação com uma impedância de sistema de $Z_{sys} = 0,291\Omega$ ou inferior. Antes de ligar o produto à rede eléctrica pública, contacte a autoridade local de fornecimento de energia para se certificar de que a rede eléctrica cumpre os requisitos acima referidos.
- Antes de ligar o aparelho à corrente, verifique se a tensão indicada na placa de características corresponde à tensão da rede.
- Ligue o aparelho a uma tomada eléctrica de pelo menos 16 amperes.
- A ficha do aparelho deve coincidir com a tomada de corrente eléctrica. Nunca modifique a ficha. Não use adaptadores de ficha.
- Não utilize o aparelho se tiver o cabo eléctrico ou a ficha danificados.
- Se o invólucro do aparelho quebrar, desconecte imediatamente o aparelho da rede eléctrica para evitar a possibilidade de choque eléctrico.

- Não puxe pelo cabo de alimentação. Nunca utilize o cabo de alimentação para levantar, transportar ou desligar o aparelho da corrente.
- Não enrole o cabo no aparelho.
- Verificar o estado do cabo de alimentação. Os cabos danificados ou entrelaçados aumentam o risco de choque elétrico.
- Não permitir que o cabo de ligação fique pendurado livremente ou que entre em contacto com as superfícies quentes do aparelho.
- Não toque na ficha de ligação com as mãos molhadas.
- Não utilize nem guarde o aparelho ao ar livre.
- Não exponha o aparelho à chuva ou a condições de humidade. A água que entrar no aparelho aumentará o risco de choque elétrico.
- A temperatura das superfícies acessíveis pode ser elevada quando o aparelho está a ser utilizado.
- Não tocar em nenhuma parte aquecida, pois isto pode causar queimaduras graves.

UTILIZAÇÃO E CUIDADOS

- Estender completamente o cabo de alimentação do aparelho antes de cada utilização.
- Não utilizar o aparelho se os acessórios que o acompanham estiverem defeituosos. Substituí-los imediatamente.
- Utilizar a pega para levantar ou deslocar o aparelho.
- Não utilizar o aparelho se este estiver inclinado e não o virar.
- Não virar o aparelho enquanto estiver a ser utilizado ou ligado à rede eléctrica.
- Para manter o tratamento antiaderente em boas condições, não utilizar utensílios metálicos ou pontiagudos.
- Respeitar o indicador do nível MAX. (Fig. 1).
- Desligar o aparelho da rede eléctrica quando não estiver a ser utilizado e antes de efetuar qualquer trabalho de limpeza.
- Guardar este aparelho fora do alcance de crianças e/ou de pessoas com deficiências físicas, sensoriais ou mentais reduzidas ou com falta de experiência e de conhecimentos.
- Não armazenar ou transportar o aparelho se este ainda estiver quente.
- Para um funcionamento correto, manter a base em boas condições; não utilizar sobre objectos metálicos (peças metálicas da tábua de engomar, botões, fechos de correr, etc.)
- É aconselhável utilizar água destilada, especialmente se a água na sua área contiver argila ou se for “dura” (contendo cal ou magnésio).

- Verificar se a tampa do bocal de enchimento está bem fechada antes de pôr o aparelho em funcionamento.
- Nunca deixar o aparelho sem vigilância enquanto estiver a ser utilizado.
- Nunca deixar o aparelho ligado e sem vigilância quando não estiver a ser utilizado. Isto poupa energia e prolonga a vida útil do aparelho.
- Nunca apoiar o aparelho sobre uma superfície durante a utilização.
- Não utilizar o aparelho sobre qualquer parte do corpo de uma pessoa ou de um animal.
- Não utilizar o aparelho para secar têxteis de qualquer tipo.
- Colocar o controlo do termostato na posição mínima (MIN) não significa que o ferro esteja permanentemente desligado.

DESCRIÇÃO

A	Botão de pulverização
B	Botão de sopro de vapor
C	Controlo do fluxo de vapor
D	Botão de auto-limpeza
E	Regulador de temperatura
F	Luz piloto
G	Bico de enchimento
H	Bico de pulverização
I	Placa de base

INSTRUÇÕES DE UTILIZAÇÃO

ANTES DA UTILIZAÇÃO

- Certificar-se de que todas as embalagens do produto foram retiradas.
- Leia atentamente a secção “Conselhos e avisos de segurança” antes da primeira utilização.
- Algumas partes do aparelho foram ligeiramente lubrificadas. Por conseguinte, na primeira utilização do aparelho, pode ser detectado um ligeiro fumo. Passado pouco tempo, este fumo desaparecerá.
- Para eliminar o odor libertado pelo aparelho aquando da sua primeira utilização, recomenda-se que o deixe ligado à potência máxima durante 10 minutos num local bem ventilado.
- Preparar o aparelho de acordo com a função que se pretende utilizar:

ENCHIMENTO COM ÁGUA

- É indispensável encher o reservatório de água para poder trabalhar com o vapor.
- A ficha deve ser retirada da tomada de corrente antes de encher o reservatório de água.
- Abrir a tampa do bocal de enchimento.
- Encher o reservatório de água, tendo o cuidado de observar o nível MAX. (Fig. 1).
- Fechar a tampa do bocal de enchimento.

UTILIZAÇÃO

- Estenda completamente o cabo de alimentação antes de o ligar à corrente.
- Ligar o aparelho à rede eléctrica.
- Rode o regulador de temperatura (E) para a posição de temperatura desejada.
- Não utilizar temperaturas superiores às indicadas nas peças de vestuário a tratar.

● Temperatura para fibras sintéticas (poliéster, nylon).

●● Temperatura para seda, lã.

●●● Temperatura para o algodão.

Máximo Temperatura para o linho.

- Se a peça de vestuário tiver vários tipos de fibras, seleccionar a temperatura para a fibra que requer a temperatura mais baixa. (Por exemplo, seleccionar a temperatura para o poliéster para um artigo composto por 60% de poliéster e 40% de algodão).
- Aguarde até que a luz piloto (F) se apague, o que indica que o aparelho atingiu uma temperatura adequada.
- Durante a utilização do aparelho, a luz piloto (F) acende-se e apaga-se automaticamente, indicando que os elementos de aquecimento estão a funcionar e, portanto, a manter a temperatura desejada.

ENGOMAR A SECO

- O aparelho dispõe de um regulador de débito de vapor (C) que permite engomar a seco (sem vapor) quando colocado na posição mínima.

ENGOMAR A VAPOR

- É possível passar a ferro com vapor sempre que o reservatório de água estiver cheio de água e for seleccionada uma temperatura adequada.

CONTROLO DO FLUXO DE VAPOR

- O aparelho dispõe de um regulador de débito de vapor (C) que permite controlar o débito de vapor.

PULVERIZAR

- O spray pode ser utilizado tanto para engomar a vapor como a seco.
- Prima o botão de pulverização (A) para utilizar esta operação.
- O botão de pulverização tem de ser premido repetidamente para libertar a primeira pulverização.

SOPRO DE VAPOR

- Esta função fornece vapor extra para eliminar as rugas.
- Prima o botão de jato de vapor (B). Aguardar alguns segundos até que o vapor penetre nas fibras da peça de vestuário antes de premir novamente o botão. Para uma qualidade óptima do vapor, não aplicar mais de três jactos sucessivos.
- O botão de jato de vapor tem de ser premido repetidamente para libertar o primeiro disparo.

VAPORIZAÇÃO VERTICAL

- É possível passar a ferro cortinas penduradas, peças de roupa no cabide, etc. Para o fazer, siga as instruções:
 - Seleccionar a temperatura máxima do ferro, rodando o regulador de temperatura do ferro no sentido dos ponteiros do relógio. (Fig. 2).
 - Mova o ferro no sentido de cima para baixo enquanto prime o botão de jato de vapor. (B).

- Importante: para o algodão e o linho, recomenda-se que a base de ferro seja colocada em contacto com o material. Para outras fibras mais delicadas, recomenda-se manter a base de ferro a alguns centímetros de distância.

QUANDO TERMINAR DE UTILIZAR O APARELHO

- Seleccionar a posição mínima (MIN) utilizando o controlo do termóstato.
- Desligar o aparelho da rede eléctrica.
- Deixar arrefecer.
- Retirar a água do interior do aparelho.
- Limpar o aparelho.

PROTETOR TÉRMICO DE SEGURANÇA

- O aparelho dispõe de um dispositivo de segurança que protege o aparelho contra o sobreaquecimento.

LIMPEZA

- Desligue o aparelho da rede eléctrica e deixe-o arrefecer antes de proceder a qualquer trabalho de limpeza.
- Limpar o aparelho com um pano húmido com algumas gotas de detergente para a loiça e secar.

- Não utilizar solventes ou produtos com um pH ácido ou básico, como lixívia, ou produtos abrasivos, para limpar o aparelho.
- Nunca mergulhe o aparelho em água ou em qualquer outro líquido, nem o coloque sob água corrente.

FUNÇÃO DE AUTO-LIMPEZA

- É importante efetuar a auto-limpeza do aparelho pelo menos uma vez por mês para remover o cálcio e quaisquer outros minerais acumulados no interior do ferro.
- Encher o reservatório de água até ao nível máximo, como indicado na secção "Encher com água".
- Coloque o ferro na posição vertical, ligue-o à corrente eléctrica e seleccione a temperatura máxima.
- Deixar o aparelho aquecer até que a luz piloto indique que atingiu a temperatura consignada.
- Desligue o aparelho da tomada e coloque-o no lava-loiça.
- Prima o botão de limpeza automática (D) e mantenha-o premido.
- Deixar sair a água pelos orifícios de vapor da base, agitando ligeiramente o aparelho.
- Soltar o botão após um minuto ou quando o depósito estiver vazio.
- Deixar o ferro na posição vertical até arrefecer.

COMO LIDAR COM AS INCRUSTAÇÕES DE CALCÁRIO

- Para que o aparelho funcione corretamente, deve ser mantido sem incrustações de calcário ou de magnésio provocadas pela utilização de água dura.
- Para evitar este tipo de problema, recomendamos a utilização de água com baixa mineralização de calcário ou magnésio.
- Não são recomendadas soluções caseiras para desincrustar este aparelho, como por exemplo a utilização de vinagre.

SERVIÇO

- Qualquer utilização inadequada ou em desacordo com as instruções de utilização pode ser perigosa e anula a garantia e a responsabilidade do fabricante.

ANOMALIAS E REPARAÇÃO

- Em caso de avaria leve o aparelho a um Serviço de Assistência Técnica autorizado. Não tente desmontar ou reparar o aparelho, já que tal poderá acarretar perigos.

GARANTIA E ASSISTÊNCIA TÉCNICA

- Este produto goza do reconhecimento e proteção da garantia legal de acordo com a legislação em vigor. Para fazer valer os seus direitos ou interesses, deverá dirigir-se a qualquer um dos nossos serviços oficiais de assistência técnica.
- Pode encontrar o mais próximo acedendo à seguinte ligação web: <https://www.blackanddecker.eu/>
- Você também pode solicitar informações relacionadas entrando em contato conosco.
- Pode descarregar este manual de instruções e as suas actualizações em <https://www.blackanddecker.eu/>

PARA AS VERSÕES EU DO PRODUTO E/OU CASO APLICÁVEL NO SEU PAÍS ECOLOGIA E RECICLAGEM E DO PRODUTO

- Os materiais que constituem a embalagem deste aparelho estão integrados num sistema de recolha, classificação e reciclagem. Se deseja eliminar-los, utilize os contentores de reciclagem colocados à disposição para cada tipo de material.
- O produto está isento de concentrações de substâncias que possam ser consideradas nocivas para o ambiente.



Este símbolo significa que se desejar desfazer-se do produto depois de terminada a sua vida útil, deve entregar-lo através dos meios adequados ao cuidado de um gestor de resíduos autorizado para a recolha seletiva de Resíduos de Equipamentos Elétricos e Eletrónicos (REEE).

- Este aparelho cumpre a Diretiva 2014/35/EU de Baixa Tensão, a Diretiva 2014/30/EU de Compatibilidade Eletromagnética, a Diretiva 2011/65/EU sobre restrições à utilização de determinadas substâncias perigosas em aparelhos eléctricos e electrónicos e a Diretiva 2009/125/EC sobre os requisitos de design ecológico aplicável aos produtos relacionados com a energia.

Informações relativas a substâncias que suscitam elevada preocupação (SVHC) de acordo com o Regulamento 1907/2006/CE (REACH). Este produto contém as seguintes substâncias SVHC:

Chumbo (Pb), Número CAS: 7439-92-1 Cádmiio (Cd), Número CAS: 7440-43-9 Dodecametilciclohexasiloxano (D6), Número CAS: 540-97-64-terc-butilfenol (PTBP), Número CAS: 98-54-4

Black & Decker® e BLACK+DECKER™ e os logotipos Black & Decker® e BLACK+DECKER™ são marcas registradas da The Black & Decker® Corporation e são usadas sob licença. Todos os direitos reservados.

Importado e Distribuído por ENGINEERING AND TECHNOLOGY FOR LIFE, SL Avda. Barcelona s/n Oliana, 25790, Espanha

PORTUGUÊS

STOOM IJZER BXIR2606E, BXIR2805E

Geachte klant,

Hartelijk dank voor uw keuze voor een product van het merk Black+Decker.

De technologie, het ontwerp en de functionaliteit van dit product, dat voldoet aan de meest strikte kwaliteitseisen, staan garant voor langdurige tevredenheid.

VEILIGHEIDSADVIES EN WAARSCHUWINGEN

- Neem deze gebruiksaanwijzing aandachtig door voordat u het apparaat in gebruik neemt en bewaar haar voor toekomstig gebruik. Het niet opvolgen en naleven van deze instructies kan een ongeluk tot gevolg hebben.
- Dit toestel mag, onder toezicht, door personen met lichamelijke, zintuiglijke of geestelijke beperkingen, of met een gebrek aan ervaring en kennis, of kinderen vanaf 8 jaar gebruikt worden, mits zij voldoende informatie ontvangen hebben om het toestel op een veilige manier te kunnen gebruiken en de gevaren kennen. Kinderen mogen niet met het apparaat spelen. Reiniging en gebruikersonderhoud mogen niet door kinderen zonder toezicht worden uitgevoerd.
- Houd het strijkijzer en het snoer buiten bereik van kinderen jonger dan 8 jaar wanneer het onder spanning staat of afkoelt.
- Het strijkijzer mag niet onbeheerd worden achtergelaten terwijl het op het stroomnet is aangesloten.

- De stekker moet uit het stopcontact worden gehaald voordat het waterreservoir met water wordt gevuld.
- Het strijkijzer moet worden gebruikt en rusten op een vlakke, stabiele ondergrond.
- Wanneer u het strijkijzer op de standaard plaatst, moet u ervoor zorgen dat het oppervlak waarop de standaard staat stabiel is.
- Het strijkijzer mag niet worden gebruikt als het is gevallen, als er zichtbare tekenen van schade zijn of als het lekt.
- Als de voedingskabel beschadigd is, moet het door de fabrikant, zijn klantenservice of vergelijkbaar gekwalificeerd personeel vervangen worden, om eventuele risico's te vermijden.
- Dit apparaat is alleen bedoeld voor huishoudelijk gebruik, niet voor professioneel of industrieel gebruik.



Oppervlakken kunnen tijdens het gebruik heet worden.

- Dit apparaat mag alleen worden aangesloten op een voeding met een systeemimpedantie van $Z_{\text{sys}} = 0,291\Omega$ of minder. Voordat u het product aansluit op het openbare elektriciteitsnet, dient u contact op te nemen met uw plaatselijke elektriciteitsmaatschappij om er zeker van te zijn dat de voeding voldoet aan de bovenstaande vereisten.
- Alvorens het apparaat op het lichtnet aan te sluiten, controleer dat de aangegeven spanning op het kenplaatje overeenkomt met de netspanning.
- Sluit het apparaat aan op een stopcontact van minstens 16 ampère.
- De stekker van het apparaat moet geschikt zijn voor het stopcontact. Wijzig de stekker niet. Gebruik geen adapters.

- Gebruik het apparaat niet wanneer de voedingskabel of de stekker beschadigd is.
- Als de behuizing van het apparaat breekt, moet het apparaat onmiddellijk van het lichtnet worden losgekoppeld om de kans op een elektrische schok te voorkomen.
- Trek niet aan de voedingskabel. Gebruik het snoer nooit om het apparaat op te tillen, te transporteren of om de stekker uit het stopcontact te trekken.
- Wikkel het stroomsnoer niet om het apparaat.
- Controleer de toestand van de voedingskabel. Kapotte kabels of kabels die in de war zijn vergroten het risico van elektrische schokken.
- Laat de aansluitkabel niet vrij hangen of in contact komen met de hete oppervlakken van het apparaat.
- Raak de stekker niet met natte handen aan.
- Bewaar of gebruik het apparaat niet buitenshuis.
- Stel het apparaat niet aan regen of vochtigheid bloot. Water dat in het apparaat komt vergroot het risico van een elektrische schok.
- De temperatuur van de toegankelijke oppervlakken kan hoog oplopen wanneer het apparaat in gebruik is.
- Raak geen verwarmde onderdelen aan, want dat kan ernstige brandwonden veroorzaken.

GEBRUIK EN VERZORGING:

- Trek het netsnoer van het apparaat volledig uit voor elk gebruik.
- Gebruik het apparaat niet als de eraan bevestigde accessoires defect zijn. Vervang ze onmiddellijk.
- Gebruik de handgreep van het apparaat om het op te vangen of te verplaatsen.
- Gebruik het apparaat niet als het gekanteld is en draai het niet om.
- Draai het apparaat niet om als het in gebruik is of op het lichtnet is aangesloten.
- Gebruik geen metalen of puntig keukengerei om de antiaanbaklaag in goede staat te houden.
- Respecteer de MAX-niveau-indicator. (Fig.1)
- Haal de stekker van het apparaat uit het stopcontact als het niet in gebruik is en voordat u reinigingswerkzaamheden uitvoert.
- Bewaar dit apparaat buiten het bereik van kinderen en/of personen met fysieke, zintuiglijke of mentale beperkingen of gebrek aan ervaring en kennis.
- Bewaar of vervoer het apparaat niet als het nog heet is.
- Voor een goede werking moet de strijkzool in goede staat worden gehouden; gebruik het apparaat niet boven metalen voorwerpen (metalen onderdelen van de strijkplank, knopen, ritssluitingen enz.)

- Het is aan te raden om gedestilleerd water te gebruiken, vooral als het water in je omgeving klei bevat of als het "hard" is (kalk of magnesium bevattend).
- Controleer of het deksel goed gesloten is voordat u het apparaat start.
- Laat het apparaat nooit onbeheerd achter als het in gebruik is.
- Laat het apparaat nooit aangesloten en onbeheerd achter als het niet in gebruik is. Dit bespaart energie en verlengt de levensduur van het apparaat.
- Plaats het apparaat nooit op een oppervlak terwijl het in gebruik is.
- Gebruik het apparaat niet op een lichaamsdeel van een persoon of dier.
- Gebruik het apparaat niet om textiel van welke soort dan ook te drogen.
- Zet de thermostaatknop op de minimumstand (MIN). Dit betekent niet dat het strijkijzer permanent uitgeschakeld is.

BESCHRIJVING

- | | |
|---|----------------------------------|
| A | Spray knop |
| B | Knop stoomstoot |
| C | Controle van de stroomstroom |
| D | Knop voor automatische reiniging |
| E | Temperatuurregelaar |
| F | Waakvlam |
| G | Vultuit |
| H | Sproeikop |
| I | Zoolplaat |

GEBRUIKSAANWIJZING

VOOR GEBRUIK:

- Zorg ervoor dat alle verpakkingen van de producten verwijderd zijn.
- Lees het boekje "Veiligheidsaanbevelingen en waarschuwingen" zorgvuldig door voor het eerste gebruik.
- Sommige onderdelen van het apparaat zijn licht ingevelt. Daarom kan er bij het eerste gebruik lichte rook worden waargenomen. Na korte tijd zal deze rook verdwijnen.
- Om de geur die het apparaat afgeeft bij het eerste gebruik te elimineren, is het aan te raden om het apparaat 10 minuten op vol vermogen te laten werken in een goed geventileerde ruimte.
- Bereid het apparaat voor volgens de functie die u wilt gebruiken:

VULLEN MET WATER:

- Het is essentieel om het depot met water gevuld te hebben om met stoom te kunnen werken.
- Open het deksel van de waterinlaat.
- Vul het depot en let daarbij op het MAX-niveau (Fig.1).
- Sluit het deksel van de watertoevoer.

GEBRUIKEN:

- Trek het netsnoer helemaal uit voordat je het in het stopcontact steekt.
 - Sluit het apparaat aan op het lichtnet.
 - Draai de thermostaatknop naar de gewenste temperatuurpositie.
 - Gebruik geen hogere temperaturen dan aangegeven op de te behandelen kleding.
- Temperatuur voor synthetische vezels (polyester, nylon).
- Temperatuur voor zijde en wol.
 - Temperatuur voor katoen.
- Max Temperatuur voor linnen.
- Als het kledingstuk verschillende soorten vezels bevat, selecteer dan de temperatuur voor de vezel die de laagste temperatuur vereist. (Selecteer bijvoorbeeld de temperatuur voor polyester voor een artikel dat voor 60% uit polyester en voor 40% uit katoen bestaat).
 - Wacht tot het controlelampje (F) uit is, dat geeft aan dat het apparaat de juiste temperatuur heeft bereikt.
 - Tijdens het gebruik van het apparaat gaat het controlelampje (F) automatisch aan en uit, wat aangeeft dat de verwarmingselementen werken en dus de gewenste temperatuur handhaven.

DROOG STRIJKEN:

- Het apparaat heeft een stoomregelaar die droog strijken (zonder stoom) mogelijk maakt als het in de minimumstand staat.

STOOMSTRIJKEN:

- Het is mogelijk om met stoom te strijken als het reservoir met water gevuld is en de juiste temperatuur geselecteerd is.

STOOMBESTURING:

- Het apparaat heeft een stoomregelknop (C) waarmee je de stroomstroom kunt regelen.

SPUITEN:

- De spray kan zowel met stoom als droog gestreken worden.

- Druk op de sproeiknop (A) om deze handeling te gebruiken.
- De sproeiknop moet herhaaldelijk worden ingedrukt om de eerste straal vrij te geven.

STOOMSTOOT:

- Deze functie zorgt voor extra stoom om rimpels te verwijderen.
- Druk op de stoomstootknop (B). Wacht een paar seconden totdat de damp in de vezels van het kledingstuk dringt voordat je nogmaals op de knop drukt. Gebruik voor een optimale stoomkwaliteit niet meer dan drie opeenvolgende stoomstoten.
- De stoomstootknop moet herhaaldelijk worden ingedrukt om het eerste schot te lossen.

VERTICAAL STOMEN:

- Het is mogelijk om hangende gordijnen, kledingstukken op een kleerhanger, enz. te strijken. Volg hiervoor de instructies:
- Selecteer de maximumtemperatuur van het strijkijzer door de temperatuurregelaar van het strijkijzer met de klok mee te draaien (Fig 2).
- Beweeg het strijkijzer van boven naar beneden terwijl je op de stoomstootknop (B) drukt. Belangrijk: voor katoen en linnen is het aan te raden om de strijkvoet in contact te brengen met het materiaal. Voor andere, gevoeligere vezels is het aan te raden om het strijkijzer op enkele centimeters afstand te houden.

ZODRA U KLAAR BENT MET HET GEBRUIK VAN HET APPARAAT:

- Selecteer de minimumpositie (MIN) met de thermostaatregeling.
- Haal de stekker uit het stopcontact.
- Laat afkoelen.
- Verwijder het water uit de binnenkant van het apparaat.
- Maak het apparaat schoon.

THERMISCHE BEVEILIGING:

- Het apparaat heeft een beveiliging die het apparaat beschermt tegen oververhitting.

SCHOONMAKEN

- Haal de stekker uit het stopcontact en laat het apparaat afkoelen voordat u het schoonmaakt.
- Maak het apparaat schoon met een vochtige doek met een paar druppels afwasmiddel en droog het daarna af.

- Gebruik geen oplosmiddelen of producten met een zure of basische pH-waarde, zoals bleekmiddel, of schuurmiddelen om het apparaat schoon te maken.
- Dompel het apparaat nooit onder in water of een andere vloeistof en plaats het nooit onder stromend water.

ZELFREINIGENDE FUNCTIE:

- Het is belangrijk om het apparaat minstens één keer per maand zelf te reinigen om kalk en andere opgehoopte mineralen in het strijkijzer te verwijderen.
- Vul het depot tot het maximale niveau, zoals aangegeven in het gedeelte "Vullen met water".
- Plaats het strijkijzer in verticale positie, steek de stekker in het stopcontact en selecteer de maximale temperatuur.
- Laat het apparaat opwarmen tot het controlelampje aangeeft dat het de voorgeschreven temperatuur heeft bereikt.
- Haal de stekker uit het stopcontact en plaats het apparaat in de gootsteen.
- Druk op de zelfreinigingsknop en houd deze ingedrukt.
- Laat het water door de stoomopeningen in de basis naar buiten stromen terwijl je het apparaat lichtjes schudt.
- Laat de knop los na een minuut of wanneer de tank leeg is.
- Laat het strijkijzer in verticale positie staan tot het is afgekoeld.

HOE OM TE GAAN MET KALKAANSLAG:

- Voor een goede werking moet het apparaat vrij zijn van kalk- of magnesiumaanslag door het gebruik van hard water.
- Om dit soort problemen te voorkomen, raden we aan water te gebruiken met een lage kalk- of magnesiummineralisatie.
- Zelfgemaakte oplossingen worden niet aanbevolen voor het ontkalken van dit apparaat, zoals het gebruik van azijn.

REPARATIES

- Onjuist gebruik of een gebruik dat niet overeenstemt met de gebruiksaanwijzing kan gevaar inhouden en doet de garantie en de aansprakelijkheid van de fabrikant teniet.

STORINGEN EN REPARATIE

- Breng het apparaat bij storing naar een erkende Technische Dienst. Probeer het apparaat niet zelf te demonteren of te repareren, want dit kan gevaarlijk zijn.

GARANTIE EN TECHNISCHE BIJSTAND

- Dit product geniet de erkenning en bescherming van de wettelijke garantie overeenkomstig de geldende wetgeving. Om uw rechten of belangen af te dwingen, moet u zich wenden tot een van onze officiële diensten voor technische bijstand.
- U kunt de dichtstbijzijnde vinden via de volgende weblink: <https://www.blackanddecker.eu/>
- U kunt ook gerelateerde informatie aanvragen door contact met ons op te nemen.
- U kunt deze handleiding en de updates ervan downloaden op <https://www.blackanddecker.eu/>

VOOR EU-VERSIES VAN HET PRODUCT EN/OF INDIEN VAN TOEPASSING IN UW LAND MILIEUVRIENDELIJKHEID EN HERGEBRUIK VAN HET PRODUCT

- Het verpakkingsmateriaal van dit apparaat is geschikt voor inzameling, classificatie en hergebruik. U kunt dit materiaal wegwerpen in de openbare afvalcontainers die voor de desbetreffende typen materiaal zijn bestemd.
- Het product bevat geen stoffen in concentraties die als schadelijk voor het milieu beschouwd kunnen worden.



Dit symbool betekent dat u het product aan het eind van zijn levenscyclus moet afgeven aan een erkende afvalverwerker ten behoeve van de gescheiden verwerking van Afgedankte Elektrische en Elektronische Apparatuur (AEEA).

- Dit apparaat voldoet aan de laagspanningsrichtlijn 2014/35/EU, de richtlijn 2014/30/EU met betrekking tot elektromagnetische compatibiliteit, de richtlijn 2011/65/EU met betrekking tot beperkingen in de toepassing van bepaalde gevaarlijke stoffen in elektrische en elektronische apparaten en de richtlijn 2009/125/EC met betrekking tot de eisen inzake het ecologisch ontwerp van energie-gereleerde producten.

Informatie met betrekking tot zeer zorgwekkende stoffen (SVHC) volgens de verordening 1907/2006/EG (REACH). Dit product bevat de volgende stoffen SVHC:

Lood (Pb), CAS Nummer: 7439-92-1 Cadmium (Cd), CAS Nummer: 7440-43-9 Dodecamethylcyclohexasiloxaan (D6), CAS Nummer: 540-97-64 tert-butylfenol (PTBP), CAS Nummer: 98-54-4

Black & Decker® en BLACK+DECKER™ en de Black & Decker® en BLACK+DECKER™ logo's zijn geregistreerde handelsmerken van The Black & Decker® Corporation en worden onder licentie gebruikt. Alle rechten voorbehouden. Ingevoerd en gedistribueerd door ENGINEERING AND

TECHNOLOGY FOR LIFE, S.L. Avda. Barcelona s/n
Oliana, 25790, Spain

ŻELAZKO PAROWE BXIR2606E, BXIR2805E

Szanowny Kliencie,

Dziękujemy, że zdecydowali się Państwo na zakup produktu marki Black+Decker.

Jego technologia, forma i funkcjonalność, jak również fakt, że spełnia on wszelkie normy jakości, dostarczy Państwu pełnej satysfakcji przez długi czas.

WSKAZÓWKI BEZPIECZEŃSTWA I OSTRZEŻENIA

- Przeczytać uważnie instrukcję przed uruchomieniem urządzenia i zachować ją w celu późniejszych konsultacji. Niedostosowanie się i nieprzestrzeganie niniejszych instrukcji może doprowadzić do wypadku.
- To urządzenie może być używane przez dzieci w wieku 8 lat i powyżej oraz osoby o ograniczonej sprawności fizycznej, sensorycznej lub umysłowej lub nieposiadające doświadczenia i wiedzy, jeżeli były one nadzorowane lub odpowiednio przeszkolone w zakresie korzystania z urządzenia w sposób bezpieczny i rozumieją zagrożenia z tego wynikające. Dzieci nie powinny bawić się urządzeniem. Czyszczenie i konserwacja przez użytkowników nie mogą być wykonywane przez dzieci bez nadzoru.
- Trzymaj żelazko i jego przewód poza zasięgiem dzieci w wieku poniżej 8 lat, gdy jest zasilane lub stygnie.
- Nie wolno pozostawiać żelazka bez nadzoru, gdy jest podłączone do sieci zasilającej.

- Przed napełnieniem zbiornika wodą należy wyjąć wtyczkę z gniazdka.
- Żelazko musi być używane i spoczywać na płaskiej, stabilnej powierzchni.
- Umieszczając żelazko na podstawie, należy upewnić się, że powierzchnia, na której ustawiona jest podstawa, jest stabilna.
- Nie wolno używać żelazka, jeśli zostało upuszczone, jeśli są widoczne ślady uszkodzenia lub jeśli przecieka.
- Jeśli przewód zasilający jest uszkodzony, w celu uniknięcia zagrożenia musi on zostać wymieniony przez producenta lub autoryzowany przez producenta serwis lub przez osoby o odpowiednich kwalifikacjach.
- Urządzenie to zaprojektowane zostało wyłącznie do użytku domowego, a nie do użytku profesjonalnego czy przemysłowego.



Powierzchnie mogą się nagrzewać podczas użytkowania.

- To urządzenie może być podłączone wyłącznie do źródła zasilania o impedancji systemu $Z_{sys} = 0,291\Omega$ lub mniejszej. Przed podłączeniem produktu do publicznego źródła zasilania należy skontaktować się z lokalnym dostawcą energii, aby upewnić się, że źródło zasilania spełnia powyższe wymagania.
- Przed podłączeniem maszyny do sieci, sprawdzić czy napięcie wskazane na tabliczce znamionowej odpowiada napięciu sieci.
- Podłączyć urządzenie do gniazdka sieciowego o natężeniu co najmniej 16 amperów.
- Wtyczka urządzenia powinna być zgodna z podstawą elektryczną gniazdka. Nigdy nie modyfikować wtyczki. Nie używać przejściówek dla wtyczki.
- Nie używać urządzenia, gdy kabel elektryczny lub wtyczka jest uszkodzona.

- Jeżeli obudowa urządzenia pęknie, należy natychmiast odłączyć urządzenie od sieci, aby zapobiec możliwości porażenia prądem.
- Nie ciągnąć za przewód zasilający. Nie używać nigdy kabla elektrycznego do podnoszenia, przenoszenia ani wyłączania urządzenia.
- Nie związać kabla elektrycznego podłączenia wokół urządzenia.
- Sprawdzić stan przewodu zasilającego. Uszkodzone czy zaplątane kable zwiększają ryzyko porażenia prądem.
- Nie dopuścić, aby kabel przyłączeniowy zwisał swobodnie lub stykał się z gorącymi powierzchniami urządzenia.
- Nie dotykać wtyczki mokrymi rękoma.
- Nie używać, ani nie przechowywać urządzenia na zewnątrz.
- Nie wystawiać urządzenia na deszcz ani narażać na warunki wilgotności. Woda, która dostanie się do urządzenia zwiększy ryzyko porażenia prądem.
- Temperatura dostępnych powierzchni może być wysoka, gdy urządzenie jest w użyciu.
- Nie należy dotykać żadnej nagrzanej części, gdyż może to spowodować poważne oparzenia.

UŻYTKOWANIE I PIELEGNACJA:

- Przed każdym użyciem należy całkowicie wyciągnąć przewód zasilający urządzenia.
- Nie używaj urządzenia, jeśli dołączone do niego akcesoria są uszkodzone. Należy je natychmiast wymienić.
- Użyj uchwytu urządzenia, aby je złapać lub przenieść.
- Nie używaj urządzenia, jeśli jest przechylone i nie przewracaj go.
- Nie należy odwracać urządzenia, gdy jest ono używane lub podłączone do sieci elektrycznej.
- Aby utrzymać powłokę nieprzywierającą w dobrym stanie, nie należy używać na niej metalowych lub ostro zakończonych przyborów.
- Przestrzegać wskaźnika poziomu MAX. (Rys.1)
- Nieużywane urządzenie należy odłączyć od sieci elektrycznej przed przystąpieniem do czyszczenia.
- Urządzenie należy przechowywać w miejscu niedostępnym dla dzieci i/lub osób o ograniczonej sprawności fizycznej, sensorycznej, umysłowej lub nieposiadających doświadczenia i wiedzy.
- Nie należy przechowywać ani transportować urządzenia, jeśli jest ono jeszcze gorące.
- Aby zapewnić prawidłowe działanie, należy utrzymywać stopę żelazka w odpowiednim stanie; nie należy używać żelazka nad metalowymi przedmiotami (metalowymi częściami deski do prasowania, guzikami, zamkami błyskawicznymi itp.)

- Zaleca się stosowanie wody destylowanej, zwłaszcza jeśli woda w okolicy zawiera glinę lub jest "twarda" (zawiera wapno lub magnez).
- Przed uruchomieniem urządzenia należy sprawdzić, czy pokrywa jest prawidłowo zamknięta.
- Nigdy nie pozostawiaj urządzenia bez nadzoru, gdy jest używane.
- Nigdy nie pozostawiaj urządzenia podłączonego do zasilania bez nadzoru, jeśli nie jest ono używane. Oszczędza to energię i wydłuża żywotność urządzenia.
- Nigdy nie należy opierać urządzenia na powierzchni podczas użytkowania.
- Nie używaj urządzenia na żadnej części ciała człowieka lub zwierzęcia.
- Nie używaj urządzenia do suszenia jakichkolwiek tekstyliów.
- Ustaw termostat w położeniu minimalnym (MIN). Nie oznacza to, że żelazko jest wyłączone na stałe.

OPIS

- | | |
|---|-------------------------------------|
| A | Przycisk spryskiwania |
| B | Przycisk nadmuchu pary |
| C | Kontrola przepływu pary |
| D | Przycisk automatycznego czyszczenia |
| E | Regulator temperatury |
| F | Światło pilota |
| G | Wylewka do napełniania |
| H | Dysza Spray |
| I | Stopa żelazka |

INSTRUKCJE UŻYTKOWANIA

PRZED UŻYCIEM:

- Upewnij się, że wszystkie opakowania produktów zostały usunięte.
- Przed pierwszym użyciem należy uważnie przeczytać broszurę "Wskazówki bezpieczeństwa i ostrzeżenia".
- Niektóre części urządzenia zostały lekko nasmarowane. W związku z tym przy pierwszym użyciu urządzenia może pojawić się lekki dym. Po krótkim czasie dym ten zniknie.
- Aby wyeliminować zapach wydzielany przez urządzenie przy pierwszym użyciu, zaleca się włączenie go z pełną mocą przez 10 minut w dobrze wentylowanym pomieszczeniu.
- Przygotuj urządzenie zgodnie z funkcją, której chcesz używać:

NAPELNIANIE WODA:

- Aby móc pracować z parą, konieczne jest napełnienie złoza wodą.
- Otwórz pokrywę wlotu wody.
- Napełnić zbiornik, zwracając uwagę na poziom MAX (rys. 1).
- Zamknij pokrywę wlotu wody.

UŻYCIE:

- Przed podłączeniem należy całkowicie wyciągnąć przewód zasilający.
 - Podłącz urządzenie do sieci elektrycznej.
 - Przekręć pokrętkę termostatu do żądanej pozycji temperatury.
 - Nie należy stosować temperatur wyższych niż wskazane na odzieży, która ma być poddana obróbce.
 - Temperatura dla włókien syntetycznych (poliester, nylon).
 - Temperatura dla jedwabiu i wełny.
 - Temperatura dla bawełny.
- Max Temperatura dla białiny.

- Jeśli odzież składa się z różnych rodzajów włókien, wybierz temperaturę dla włókna, które wymaga najniższej temperatury. (Na przykład wybierz temperaturę dla poliestru dla artykułu wykonanego w 60% z poliestru i w 40% z bawełny).
- Poczekaj, aż lampka kontrolna (F) zgaśnie, co będzie oznaczać, że urządzenie osiągnęło odpowiednią temperaturę.
- Podczas korzystania z urządzenia lampka kontrolna (F) będzie włączać się i wyłączać automatycznie, wskazując, że elementy grzejne działają i utrzymują żądaną temperaturę.

PRASOWANIE NA SUCHO:

- Urządzenie jest wyposażone w regulator przepływu pary, który umożliwia prasowanie na sucho (bez pary) po ustawieniu w pozycji minimalnej.

PRASOWANIE PAROWE:

- Możliwe jest prasowanie z parą, gdy złoże jest wypełnione wodą i wybrana jest odpowiednia temperatura.

KONTROLA PRZEPŁYWU PARY:

- Urządzenie jest wyposażone w pokrętkę regulacji pary (C), które umożliwia regulację przepływu pary.

SPRAY:

- Spray może być używany zarówno do prasowania parowego, jak i na sucho.

- Naciśnij przycisk spryskiwania (A), aby użyć tej operacji.
- Aby zwolnić pierwszy strumień, należy kilkakrotnie nacisnąć przycisk spryskiwania.

PODMUCH PARY:

- Funkcja ta zapewnia dodatkową parę do usuwania zmarszczek.
- Naciśnij przycisk nadmuchu pary (B). Przed ponownym naciśnięciem przycisku należy odczekać kilka sekund, aż para wniknie we włókna odzieży. Aby uzyskać optymalną jakość pary, nie należy stosować więcej niż trzech kolejnych uderzeń.
- Aby wyzwolić pierwszy strzał, należy kilkakrotnie nacisnąć przycisk uderzenia pary.

PIONOWE GOTOWANIE NA PARZE:

- Możliwe jest prasowanie wiszących zasłon, elementów odzieży na wieszaku itp. W tym celu należy postępować zgodnie z instrukcjami:
- Wybierz maksymalną temperaturę żelazka, obracając regulator temperatury w kierunku zgodnym z ruchem wskazówek zegara (rys. 2).
- Przesuwaj żelazko w kierunku od góry do dołu, naciskając przycisk uderzenia pary (B). Ważne: w przypadku bawełny i lnu zaleca się, aby stopa żelazka stykała się z materiałem. W przypadku innych, delikatniejszych włókien, zaleca się trzymanie stopy żelazka w odległości kilku centymetrów.

PO ZAKOŃCZENIU KORZYSTANIA Z URZĄDZENIA:

- Wybierz pozycję minimalną (MIN) za pomocą pokrętki termostatu.
- Odłącz urządzenie od zasilania.
- Pozostawić do ostygnięcia.
- Usuń wodę z wnętrza urządzenia.
- Wyczyść urządzenie.

ZABEZPIECZENIE TERMICZNE:

- Urządzenie posiada zabezpieczenie, które chroni je przed przegrzaniem.

CZYSZCZENIE

- Przed przystąpieniem do czyszczenia należy odłączyć urządzenie od zasilania i odczekać, aż ostygnie.
- Wyczyść urządzenie wilgotną szmatką z kilkoma kroplami płynu do mycia naczyń, a następnie wysusz.
- Do czyszczenia urządzenia nie należy używać rozpuszczalników ani produktów o kwaśnym lub zasadowym pH, takich jak wybielacze lub produkty ściernie.

- Nigdy nie zanurzaj urządzenia w wodzie lub innym płynie ani nie umieszczaj go pod bieżącą wodą.

FUNKCJA SAMOCZYSZCZENIA:

- Ważne jest, aby samooczyszczać urządzenie co najmniej raz w miesiącu w celu usunięcia wapnia i innych minerałów nagromadzonych wewnątrz żelazka.
- Napełnij zbiornik do maksymalnego poziomu, jak wskazano w sekcji "Napełnianie wodą".
- Ustaw żelazko w pozycji pionowej, podłącz je do zasilania i wybierz maksymalną temperaturę.
- Pozostawij urządzenie do nagrzania, aż lampka kontrolna wskaże, że osiągnęło ono odpowiednią temperaturę.
- Odłącz urządzenie i umieść je w zlewie.
- Naciśnij i przytrzymaj przycisk samooczyszczania.
- Pozwól wodzie wypłynąć przez otwory parowe w podstavie, lekko potrząsając urządzeniem.
- Zwolnij przycisk po minucie lub gdy zbiornik będzie pusty.
- Pozostaw żelazko w pozycji pionowej, aż ostygnie.

JAK RADZIĆ SOBIE Z OSADAMI WAPIENNYMI:

- Aby urządzenie działało prawidłowo, powinno być wolne od osadów wapiennych lub magnezowych spowodowanych używaniem twardej wody.
- Aby zapobiec tego rodzaju problemom, zalecamy stosowanie wody o niskiej mineralizacji wapnem lub magnezem.
- Do odkamieniania tego urządzenia nie zaleca się stosowania domowych środków, takich jak ocet.

OBSŁUGA

- Wszelkie niewłaściwe użycie lub niezgodne z instrukcją obsługi może doprowadzić do niebezpieczeństwa, anulując przy tym gwarancję i odpowiedzialność producenta.

NIEPRAWIDŁOWOŚCI I NAPRAWA

- W razie awarii zanieść urządzenie do autoryzowanego Serwisu Technicznego. Nie próbować rozbierać urządzenia ani go naprawiać, ponieważ może to być niebezpieczne.

GWARANCJA I POMOC TECHNICZNA

- Produkt ten korzysta z uznania i ochrony gwarancji prawnej zgodnie z obowiązującymi przepisami. Aby dochodzić swoich praw lub interesów, muszą Państwo udać się do któregoś z naszych oficjalnych serwisów pomocy technicznej.

- Najbliższą można znaleźć pod następującym adresem internetowym: <https://www.blackanddecker.eu/>
- Mogą Państwo również poprosić o odpowiednie informacje, kontaktując się z nami.
- Niniejszą instrukcję oraz jej aktualizacje można pobrać ze strony <https://www.blackanddecker.eu/>.

DLA URZĄDZEŃ WYPRODUKOWANYCH W UNII EUROPEJSKIEJ I W PRZYPADKU WYMAGAŃ PRAWNYCH OBOWIĄZUJĄCYCH W DANYM KRAJU EKOLOGIA I ZARZĄDZANIE ODPADAMI

- Materiały, z których wykonane jest opakowanie tego urządzenia, znajdują się w ramach systemu zbierania, klasyfikacji oraz ich odzysku. Jeżeli chcecie Państwo się ich pozbyć, należy umieścić je w kontenerze przeznaczonym do tego typu materiałów.
- Produkt nie zawiera koncentracji substancji, które mogłyby być uznane za szkodliwe dla środowiska.



Symbol ten oznacza, że jeśli chcecie się Państwo pozbyć tego produktu po zakończeniu okresu jego użytkowania, należy go przekazać przy zastosowaniu określonych środków do autoryzowanego podmiotu zarządzającego odpadami w celu przeprowadzenia selektywnej zbiórki Odpadów Urządzeń Elektrycznych i Elektronicznych (WEEE).

- To urządzenie jest zgodne z dyrektywą 2014/35/EU niskonapięciowych 2014/30/EU o Kompatybilność elektromagnetycznej, z dyrektywą 2011/65/EU w sprawie ograniczenia stosowania niektórych niebezpiecznych substancji w sprzęcie elektrycznym i elektronicznym oraz dyrektywą 2009/125/EC w sprawie wymogów dotyczących ekoprojektu stosowanego w produktach związanych z energią.

Informacje dotyczące substancji wzbudzających szczególnie duże obawy (SVHC) zgodnie z rozporządzeniem 1907/2006/WE (REACH). Ten produkt zawiera następujące substancje SVHC:

Ołów (Pb), numer CAS: 7439-92-1Kadm (Cd), numer CAS: 7440-43-9Dodekametylocykloheksasiloksan (D6), numer CAS: 540-97-64-tert-butylfenol (PTBP), numer CAS: 98-54-4

Black & Decker® i BLACK+DECKER™ oraz logo Black & Decker® i BLACK+DECKER™ są zarejestrowanymi znakami towarowymi The Black & Decker® Corporation i są używane na podstawie licencji. Wszelkie prawa zastrzeżone.

Importowane i dystrybuowane przez ENGINEERING AND TECHNOLOGY FOR LIFE, S.L. Avda. Barcelona s/n Oliana, 25790, Spain

ΣΙΔΕΡΟ ΑΤΜΟΥ BXIR2606E, BXIR2805E

Αξιότιμε πελάτη,

Σας ευχαριστούμε πολύ που επιλέξατε να αγοράσετε ένα προϊόν της μάρκας Black+Decker.

Η τεχνολογία, ο σχεδιασμός και η λειτουργία του, σε συνδυασμό με το γεγονός ότι το προϊόν πληροί τις αυστηρότερες προδιαγραφές ποιότητας θα σας εξασφαλίσουν πλήρη ικανοποίηση για πολύ καιρό.

ΣΥΜΒΟΥΛΕΣ ΑΣΦΑΛΕΙΑΣ ΚΑΙ ΠΡΟΕΙΔΟΠΟΙΗΣΕΙΣ

- Διαβάστε προσεκτικά το παρόν φυλλάδιο οδηγιών πριν θέσετε σε λειτουργία τη συσκευή, και φυλάξτε το για να το συμβουλευέστε στο μέλλον. Η μη τήρηση και μη συμμόρφωση με τις εν λόγω οδηγίες μπορούν να οδηγήσουν σε ατύχημα.
- Αυτή τη συσκευή μπορούν να τη χρησιμοποιούν παιδιά ηλικίας 8 ετών και άνω καθώς επίσης και άτομα με μειωμένες σωματικές, αισθητηριακές ή διανοητικές ικανότητες ή με έλλειψη εμπειρίας ή γνώσεων, εφόσον τους παρέχεται η κατάλληλη εποπτεία ή εκπαιδευτούν στην ασφαλή χρήση της συσκευής και εφόσον κατανοούν τους κινδύνους που εγκυμονεί. Τα παιδιά δεν πρέπει να παίζουν με τη συσκευή. Ο καθαρισμός και η συντήρηση από τον χρήστη δεν πρέπει να γίνεται από παιδιά χωρίς επίβλεψη.
- Κρατήστε το σίδερο και το καλώδιο του μακριά από παιδιά ηλικίας κάτω των 8 ετών, όταν βρίσκεται σε λειτουργία ή ψύχεται.

- Το σίδερο δεν πρέπει να μένει χωρίς επιτήρηση όσο είναι συνδεδεμένο στο δίκτυο παροχής.
- Το βύσμα πρέπει να αφαιρεθεί από την πρίζα πριν γεμίσει με νερό το δοχείο νερού.
- Το σίδερο πρέπει να χρησιμοποιείται και να στηρίζεται σε επίπεδη, σταθερή επιφάνεια.
- Όταν τοποθετείτε το σίδερο στη βάση του, βεβαιωθείτε ότι η επιφάνεια στην οποία τοποθετείται η βάση είναι σταθερή.
- Το σίδερο δεν πρέπει να χρησιμοποιείται εάν έχει πέσει, εάν υπάρχουν ορατά σημάδια ζημιάς ή εάν έχει διαρροή.
- Αν το καλώδιο τροφοδοσίας έχει υποστεί ζημιά, πρέπει να αντικατασταθεί από τον κατασκευαστή, από το τμήμα του εξυπηρέτησης μετά την πώληση, ή από παρεμφερές ειδικευμένο προσωπικό, ώστε να αποφεύγεται τυχόν κίνδυνος.
- Αυτή η συσκευή έχει σχεδιαστεί μόνο για οικιακή χρήση, όχι για επαγγελματική ή βιομηχανική χρήση.



ΠΡΟΣΟΧΗ: Οι επιφάνειες ενδέχεται να ζεσταθούν κατά τη χρήση.

- Αυτή η συσκευή πρέπει να συνδέεται μόνο σε παροχή με σύνθετη αντίσταση συστήματος $Z_{sys} = 0,291\Omega$ ή μικρότερη. Πριν συνδέσετε το προϊόν στη δημόσια παροχή ρεύματος, επικοινωνήστε με την τοπική αρχή παροχής ρεύματος για να βεβαιωθείτε ότι η παροχή ρεύματος πληροί την παραπάνω απαίτηση.

- Πριν συνδέσετε τη συσκευή στο ρεύμα, ελέγξτε ότι η τάση που αναφέρεται στην πινακίδα σήμανσης συμπίπτει με την τάση του ρεύματος.
- Συνδέστε τη συσκευή σε πρίζα δικτύου με ονομαστική ισχύ τουλάχιστον 16 αμπέρ.
- Το βύσμα της πρίζας της συσκευής πρέπει να συμπίπτει με την ηλεκτρική βάση λήψης ρεύματος. Μην αλλάζετε ποτέ το βύσμα της πρίζας. Μην χρησιμοποιείται μετασχηματιστές στο βύσμα της πρίζας.
- Μη χρησιμοποιείτε τη συσκευή όταν το ηλεκτρικό καλώδιο ή το βύσμα έχουν υποστεί ζημιά.
- Εάν το περίβλημα της συσκευής στάσει, αποσυνδέστε αμέσως τη συσκευή από το ηλεκτρικό δίκτυο για να αποφύγετε την πιθανότητα ηλεκτροπληξίας.
- Μην τραβάτε το καλώδιο τροφοδοσίας. Μην χρησιμοποιείτε ποτέ το ηλεκτρικό καλώδιο για να σηκώνετε, να μεταφέρετε ή να βγάλετε από την πρίζα τη συσκευή.
- Μην τυλίγετε το ηλεκτρικό καλώδιο σύνδεσης γύρω από τη συσκευή.
- Ελέγξτε την κατάσταση του καλωδίου τροφοδοσίας. Καλώδια που έχουν υποστεί βλάβη ή έχουν μπερδευτεί αυξάνουν τον κίνδυνο ηλεκτροπληξίας.
- Μην αφήνετε το καλώδιο σύνδεσης να κρέμεται ελεύθερα ή να έρχεται σε επαφή με τις θερμές επιφάνειες της συσκευής.
- Μην αγγίζετε το βύσμα σύνδεσης με γυρά χέρια.
- Μη χρησιμοποιείτε ούτε να φυλάσσετε τη συσκευή σε εξωτερικούς χώρους.
- Μην αφήνετε τη συσκευή εκτεθειμένη σε βροχή ή υγρασία. Το νερό που εισέρχεται στη συσκευή αυξάνει τον κίνδυνο ηλεκτροπληξίας.
- Η θερμοκρασία των προσβάσιμων επιφανειών μπορεί να είναι υψηλή όταν η συσκευή είναι σε λειτουργία.
- Μην αγγίζετε κανένα θερμαινόμενο μέρος, καθώς αυτό μπορεί να προκαλέσει σοβαρά εγκαύματα.

ΧΡΗΣΗ ΚΑΙ ΦΡΟΝΤΙΔΑ:

- Τεντώστε πλήρως το καλώδιο τροφοδοσίας της συσκευής πριν από κάθε χρήση.
- Μην χρησιμοποιείτε τη συσκευή εάν τα εξαρτήματα που είναι προσαρτημένα σε αυτήν είναι ελαττωματικά. Αντικαταστήστε τα αμέσως.
- Χρησιμοποιήστε τη λαβή της συσκευής για να την πιάσετε ή να τη μετακινήσετε.
- Μην χρησιμοποιείτε τη συσκευή αν είναι αναποδογυρισμένη και μην την αναποδογυρίζετε.
- Μην αναποδογυρίζετε τη συσκευή ενώ είναι σε λειτουργία ή συνδεδεμένη στο δίκτυο.
- Για να διατηρήσετε την αντικολητική επεξεργασία σε καλή κατάσταση, μην χρησιμοποιείτε μεταλλικά ή αιχμηρά σκεύη πάνω της.

- Σεβαστείτε την ένδειξη στάθμης MAX. (Σχ.1)
- Αποσυνδέστε τη συσκευή από το ηλεκτρικό δίκτυο όταν δεν τη χρησιμοποιείτε και πριν προβείτε σε οποιαδήποτε εργασία καθαρισμού.
- Αποθηκεύστε τη συσκευή μακριά από παιδιά ή/και άτομα με σωματική, αισθητηριακή ή μειωμένη νοητική ικανότητα ή έλλειψη εμπειρίας και γνώσεων.
- Μην αποθηκεύετε ή μεταφέρετε τη συσκευή εάν είναι ακόμα ζεστή.
- Για τη σωστή λειτουργία, διατηρήστε τη σόλα σε καλή κατάσταση- μην τη χρησιμοποιείτε πάνω από μεταλλικά αντικείμενα (μεταλλικά μέρη της σιδερώστρας, κουμπιά, φερμουάρ κ.λπ.).
- Συνιστάται να χρησιμοποιείτε αποσταγμένο νερό, ειδικά αν το νερό της περιοχής σας περιέχει άργιλο ή αν είναι "σκληρό" (περιέχει ασβέστη ή μαγνήσιο).
- Ελέγξτε ότι το καπάκι είναι σωστά κλειστό πριν θέσετε σε λειτουργία τη συσκευή.
- Ποτέ μην αφήνετε τη συσκευή χωρίς επίβλεψη κατά τη χρήση.
- Ποτέ μην αφήνετε τη συσκευή συνδεδεμένη και αφύλακτη αν δεν χρησιμοποιείται. Έτσι εξοικονομείτε ενέργεια και παρατείνετε τη διάρκεια ζωής της συσκευής.
- Ποτέ μην ακουμπάτε τη συσκευή σε κάποια επιφάνεια κατά τη χρήση.
- Μην χρησιμοποιείτε τη συσκευή σε οποιοδήποτε μέρος του σώματος ενός ατόμου ή ζώου.
- Μην χρησιμοποιείτε τη συσκευή για το στέγνωμα υφασμάτων οποιουδήποτε είδους.
- Γυρίστε τον ρυθμιστή θερμοστάτη στην ελάχιστη ρύθμιση (MIN). Αυτό δεν σημαίνει ότι το σίδερο απενεργοποιείται μόνιμα.

ΠΕΡΙΓΡΑΦΗ

- | | |
|---|-----------------------------|
| A | Κουμπί ψεκασμού |
| B | Κουμπί έκρηξης ατμού |
| C | Έλεγχος ροής ατμού |
| D | Κουμπί αυτόματου καθαρισμού |
| E | Ρυθμιστής θερμοκρασίας |
| F | Φως πιλότου |
| G | Στόμιο πλήρωσης |
| H | Ακροφύσιο ψεκασμού |
| I | Σόλα |

ΟΔΗΓΙΕΣ ΧΡΗΣΗΣ

ΠΡΙΝ ΑΠΟ ΤΗ ΧΡΗΣΗ:

- Βεβαιωθείτε ότι όλες οι συσκευασίες των προϊόντων έχουν αφαιρεθεί.
- Διαβάστε προσεκτικά το φυλλάδιο “Συμβουλές ασφαλείας και προειδοποιήσεις” πριν από την πρώτη χρήση.
- Ορισμένα μέρη της συσκευής έχουν λιπανθεί ελαφρά. Κατά συνέπεια, την πρώτη φορά που θα χρησιμοποιηθεί η συσκευή μπορεί να ανιχνευθεί ελαφρύς καπνός. Μετά από σύντομο χρονικό διάστημα, ο καπνός αυτός θα εξαφανιστεί.
- Για να εξαλειφθεί η μυρωδιά που αναδύεται από τη συσκευή όταν χρησιμοποιείται για πρώτη φορά, συνιστάται να την έχετε σε πλήρη ισχύ για 10 λεπτά σε ένα καλά αεριζόμενο δωμάτιο.
- Προετοιμάστε τη συσκευή ανάλογα με τη λειτουργία που θέλετε να χρησιμοποιήσετε:

ΠΛΗΡΩΣΗ ΜΕ ΝΕΡΟ:

- Είναι απαραίτητο να έχετε γεμίσει την αποθήκη με νερό για να μπορέσετε να εργαστείτε με ατμό.
- Ανοίξτε το καπάκι εισαγωγής νερού.
- Γεμίστε την κατάθεση - προσέχοντας να τηρείτε τη στάθμη MAX (Εικ. 1).
- Κλείστε το καπάκι εισαγωγής νερού.

ΧΡΗΣΗ:

- Τεντώστε πλήρως το καλώδιο τροφοδοσίας πριν το συνδέσετε στην πρίζα.
- Συνδέστε τη συσκευή στο ηλεκτρικό δίκτυο.
- Γυρίστε τον θερμοστάτη στη θέση της επιθυμητής θερμοκρασίας.
- Μην χρησιμοποιείτε θερμοκρασίες υψηλότερες από αυτές που αναγράφονται στα προς επεξεργασία ρούχα.

- Θερμοκρασία για συνθετικές ίνες (πολυεστέρας, νάιλον).
 - Θερμοκρασία για μετάξι και μαλλί.
 - Θερμοκρασία για βαμβάκι.
- Max Temperature για λινά.

- Εάν το ένδυμα έχει διάφορα είδη ινών, επιλέξτε τη θερμοκρασία για την ίνα που απαιτεί τη χαμηλότερη θερμοκρασία. (Για παράδειγμα, επιλέξτε τη θερμοκρασία για πολυεστέρα για ένα είδος που αποτελείται από 60% πολυεστέρα και 40% βαμβάκι).
- Περιμένετε μέχρι να σβήσει η λυχνία ελέγχου (F), η οποία θα υποδηλώνει ότι η συσκευή έχει φτάσει σε επαρκή θερμοκρασία.

- Κατά τη διάρκεια της χρήσης της συσκευής, η λυχνία ελέγχου (F) ανάβει και σβήνει αυτόματα, υποδεικνύοντας ότι τα θερμοκρασιακά στοιχεία λειτουργούν και συνεπώς διατηρούν την επιθυμητή θερμοκρασία.

ΣΤΕΓΝΟ ΣΙΔΕΡΩΜΑ:

- Η συσκευή διαθέτει ρυθμιστή ροής ατμού που επιτρέπει το στεγνό σιδέρωμα (χωρίς ατμό) όταν τοποθετείται στην ελάχιστη θέση.

ΣΙΔΕΡΩΜΑ ΜΕ ΑΤΜΟ:

- Είναι δυνατόν να σιδερώσετε με ατμό όποτε η αποθήκη είναι γεμάτη με νερό και έχει επιλεγεί η κατάλληλη θερμοκρασία.

ΕΛΕΓΧΟΣ ΡΟΗΣ ΑΤΜΟΥ:

- Η συσκευή διαθέτει ένα κουμπί ελέγχου ατμού (C) που επιτρέπει τον έλεγχο της ροής ατμού.

ΣΠΡΕΪ:

- Το σπρέϊ μπορεί να χρησιμοποιηθεί τόσο για σιδέρωμα με ατμό όσο και για στεγνό σιδέρωμα.
- Πατήστε το κουμπί ψεκασμού (A) για να χρησιμοποιήσετε αυτή τη λειτουργία.
- Το κουμπί ψεκασμού πρέπει να πατηθεί επανειλημμένα για να απελευθερωθεί ο πρώτος ψεκασμός.

ΕΚΡΗΞΗ ΑΤΜΟΥ:

- Αυτή η λειτουργία παρέχει επιπλέον ατμό για την εξάλειψη των ρυτίδων.
- Πατήστε το κουμπί εκτόξευσης ατμού (B). Περιμένετε μερικά δευτερόλεπτα μέχρι ο ατμός να διεισδύσει στις ίνες του ενδύματος πριν πατήσετε ξανά το κουμπί. Για βέλτιστη ποιότητα ατμού, μην εφαρμόζετε περισσότερες από τρεις διαδοχικές εκτοξεύσεις.
- Το κουμπί εκτόξευσης ατμού πρέπει να πατηθεί επανειλημμένα για να απελευθερωθεί η πρώτη βολή.

ΚΑΘΕΤΟΣ ΑΤΜΟΣ:

- Είναι δυνατόν να σιδερώσετε κρεμαστές κουρτίνες, είδη ρουχισμού στην κρεμάστρα του, κ.λπ. Για να το κάνετε αυτό, ακολουθήστε τις οδηγίες:
- Επιλέξτε τη μέγιστη θερμοκρασία του σιδήρου, περιστρέφοντας τον ρυθμιστή θερμοκρασίας του σιδήρου προς τη φορά των δεικτών του ρολογιού (Εικ. 2).
- Μετακινήστε το σίδερο με κατεύθυνση από πάνω προς τα κάτω ενώ πατάτε το κουμπί εκτόξευσης ατμού (B). Σημαντικό: για το βαμβάκι και το λινό, συνιστάται να τοποθετείτε τη βάση του σιδήρου σε επαφή με το υλικό. Για άλλες πιο ευαίσθητες ίνες, συνιστάται να κρατάτε τη βάση του σιδήρου σε απόσταση μερικών εκατοστών.

ΜΟΛΙΣ ΤΕΛΕΙΩΣΤΕ ΤΗ ΧΡΗΣΗ ΤΗΣ ΣΥΣΚΕΥΗΣ:

- Επιλέξτε την ελάχιστη θέση (MIN) χρησιμοποιώντας το χειριστήριο του θερμοστάτη.
- Αποσυνδέστε τη συσκευή από το ηλεκτρικό δίκτυο.
- Αφήστε το να κρυώσει.
- Αφαιρέστε το νερό από το εσωτερικό της συσκευής.
- Καθαρίστε τη συσκευή.

ΘΕΡΜΙΚΟ ΠΡΟΣΤΑΤΕΥΤΙΚΟ ΑΣΦΑΛΕΙΑΣ:

- Η συσκευή διαθέτει διάταξη ασφαλείας που προστατεύει τη συσκευή από υπερθέρμανση.

ΚΑΘΑΡΙΣΜΟΣ

- Αποσυνδέστε τη συσκευή από το ηλεκτρικό δίκτυο και αφήστε την να κρυώσει πριν προβείτε σε οποιαδήποτε εργασία καθαρισμού.
- Καθαρίστε τον εξοπλισμό με ένα υγρό πανί με λίγες σταγόνες απορρυπαντικού και, στη συνέχεια, στεγνώστε τον.
- Μην χρησιμοποιείτε διαλύτες ή προϊόντα με όξινο ή βασικό pH, όπως χλωρίνη, ή λειαντικά προϊόντα, για τον καθαρισμό της συσκευής.
- Ποτέ μην βυθίζετε τη συσκευή σε νερό ή οποιοδήποτε άλλο υγρό και μην την τοποθετείτε κάτω από τρεχούμενο νερό.

ΛΕΙΤΟΥΡΓΙΑ ΑΥΤΟΚΑΘΑΡΙΣΜΟΥ:

- Είναι σημαντικό να αυτοκαθαρίζετε τη συσκευή τουλάχιστον μία φορά το μήνα για να απομακρύνετε το ασβέστιο και τυχόν άλλα συσσωρευμένα μέταλλα στο εσωτερικό του σίδηρου.
- Γεμίστε την αποθήκη μέχρι τη μέγιστη στάθμη της, όπως αναφέρεται στην ενότητα "Πλήρωση με νερό".
- Τοποθετήστε το σίδηρο στην κατακόρυφη θέση, συνδέστε το στην πρίζα και επιλέξτε τη μέγιστη θερμοκρασία.
- Αφήστε τη συσκευή να θερμανθεί έως ότου η λυχνία ελέγχου δείξει ότι έχει φτάσει στη θερμοκρασία που της έχει δοθεί.
- Αποσυνδέστε τη συσκευή από την πρίζα και τοποθετήστε την στο νεροχύτη.
- Πατήστε το κουμπί αυτοκαθαρισμού και κρατήστε το πατημένο.
- Αφήστε το νερό να βγει από τους αεραγωγούς ατμού στη βάση, ενώ κουνάτε ελαφρά τη συσκευή.
- Αφήστε το κουμπί μετά από ένα λεπτό ή όταν το δοχείο αδειάσει.
- Αφήστε το σίδηρο στην κατακόρυφη θέση μέχρι να κρυώσει.

ΠΩΣ ΝΑ ΑΝΤΙΜΕΤΩΠΙΣΤΕ ΤΙΣ ΕΠΙΚΑΘΙΣΕΙΣ ΑΛΑΤΩΝ:

- Για τη σωστή λειτουργία της συσκευής, θα πρέπει να διατηρείται απαλλαγμένη από άλατα ή επικαθίσεις μαγνησίου που προκαλούνται από τη χρήση σκληρού νερού.
- Για να αποφύγετε τέτοιου είδους προβλήματα, συνιστούμε τη χρήση νερού με χαμηλή ανοργανοποίηση ασβέστη ή μαγνησίου.
- Δεν συνιστώνται αυτοσχέδια διαλύματα για την αφαίρεση αλάτων αυτής της συσκευής, όπως η χρήση ξιδιού.

ΛΕΙΤΟΥΡΓΙΑ

- Οποιαδήποτε μη ενδεδειγμένη χρήση ή χρήση αντίθετη προς τις οδηγίες χρήσης μπορεί να εγκυμονεί κινδύνους, και ακυρώνει την εγγύηση και την ευθύνη του κατασκευαστή.

ΠΡΟΒΛΗΜΑΤΑ ΚΑΙ ΕΠΙΣΚΕΥΕΣ

- Σε περίπτωση βλάβης, μεταφέρετε τη συσκευή σε εγκεκριμένη υπηρεσία τεχνικής βοήθειας. Μην προσπαθήσετε να την αποσυναρμολογήσετε ή να την επισκευάσετε γιατί μπορεί να εκτεθείτε σε κίνδυνο.

ΕΓΓΥΗΣΗ ΚΑΙ ΤΕΧΝΙΚΗ ΒΟΗΘΕΙΑ

- Το προϊόν αυτό τυγχάνει της αναγνώρισης και της προστασίας της νομικής εγγύησης σύμφωνα με την ισχύουσα νομοθεσία. Για να διεκδικήσετε τα δικαιώματά σας ή τα συμφέροντά σας, πρέπει να απευθυνθείτε σε οποιαδήποτε από τις επίσημες υπηρεσίες τεχνικής βοήθειας.
- Μπορείτε να βρείτε το πλησιέστερο από αυτά, μπαίνοντας στον ακόλουθο δικτυακό τόπο: <https://www.blackanddecker.eu/>
- Μπορείτε επίσης να ζητήσετε σχετικές πληροφορίες επικοινωνώντας μαζί μας.
- Μπορείτε να κατεβάσετε αυτό το χειρίδιο οδηγιών και τις ενημερώσεις του στη διεύθυνση <https://www.blackanddecker.eu/>.

**ΓΙΑ ΤΙΣ ΕΚΔΟΧΕΣ ΕΕ ΤΗΣ ΣΥΣΚΕΥΗΣ ΚΑΙ/Η ΕΦΟΣΟΝ
ΙΣΧΥΟΥΝ ΤΑ ΠΑΡΑΚΑΤΩ ΣΤΗ ΧΩΡΑ ΣΑΣ
ΟΙΚΟΛΟΓΙΑ ΚΑΙ ΑΝΑΚΥΚΛΩΣΙΜΟΤΗΤΑ ΤΟΥ
ΠΡΟΪΟΝΤΟΣ**

- Τα υλικά που απαρτίζουν τη συσκευασία αυτής της συσκευής, συμμετέχουν σε πρόγραμμα αποκομιδής, ταξινόμησης και ανακύκλωσης τους. Αν θέλετε να απαλλαγείτε από αυτά τα υλικά, μπορείτε να χρησιμοποιήσετε τους δημόσιους κάδους που ενδείκνυνται για κάθε είδος υλικού.
- Το προϊόν δεν περιέχει συγκεντρώσεις ουσιών που μπορούν να θεωρηθούν επιζήμιες για το περιβάλλον.



Αυτό το σύμβολο σημαίνει ότι εάν θέλετε να απαλλαγείτε από το προϊόν, όταν έχει ολοκληρωθεί ο κύκλος ζωής του, οφείλετε να το εναποθέσετε, με τα κατάλληλα μέσα, στα χέρια ενός διαχειριστή αποβλήτων, εγκεκριμένου για την επιλεκτική συλλογή αποβλήτων ειδών ηλεκτρικού και ηλεκτρονικού εξοπλισμού (ΑΗΗΕ).

- Το παρόν προϊόν συμμορφώνεται με την οδηγία 2014/35/EU χαμηλής τάσης, με την οδηγία 2014/30/EU για την ηλεκτρομαγνητική συμβατότητα, με την οδηγία 2011/65/EU για τον περιορισμό της χρήσης ορισμένων επικίνδυνων ουσιών σε ηλεκτρικό και ηλεκτρονικό εξοπλισμό και με την οδηγία 2009/125/EC για τις απαιτήσεις οικολογικού σχεδιασμού όσον αφορά τα συνδεδεμένα με την ενέργεια προϊόντα.

Πληροφορίες σχετικά με ουσίες που προκαλούν πολύ μεγάλη ανησυχία (SVHC) σύμφωνα με τον κανονισμό 1907/2006/EK (REACH). Αυτό το προϊόν περιέχει τις ακόλουθες ουσίες SVHC:

Μόλυβδος (Pb), αριθμός CAS: 7439-92-1Κάδμιο (Cd), αριθμός CAS: 7440-43-9 Δωδεκαμεθυλοκυκλοεξασιλοξάνιο (D6), αριθμός CAS: 540-97-64-tert-βουτυλοφαινόλη (PTBP), αριθμός CAS: 98-54-4

Τα Black & Decker® και BLACK+DECKER™ και τα λογότυπα Black & Decker® και BLACK+DECKER™ είναι σήματα κατατεθέντα της The Black & Decker® Corporation και χρησιμοποιούνται με άδεια χρήσης. Όλα τα δικαιώματα διατηρούνται.

Εισάγεται και διανέμεται από την ENGINEERING AND TECHNOLOGY FOR LIFE, S.L. Avda. Barcelona s/n Oliana, 25790, Spain

FIER DE CĂLCAT CU ABURI BXIR2606E, BXIR2805E

Stimate client,

Mulțumim pentru că ați ales să achiziționați un produs marca Black+Decker.

Datorită tehnologiei sale, designului și modului de funcționare, precum și faptului că depășește cele mai stricte standarde de calitate, se poate garanta o utilizare pe deplin satisfăcătoare și de lungă durată a produsului.

SFATURI DE SIGURANȚĂ ȘI AVERTISMENTE

- Înainte de a porni aparatul, citiți cu atenție aceste instrucțiuni și păstrați-le pentru a le putea consulta în viitor. Nerespectarea acestor instrucțiuni poate provoca un accident.
- Acest aparat poate fi utilizat de către copiii cu vârsta de peste 8 ani, precum și de către persoanele ce au o capacitate fizică, senzorială sau mentală redusă sau fără experiență și cunoștințe, doar dacă aceștia sunt sub supraveghere sau au fost instruiți în legătură cu utilizarea aparatului în condiții de siguranță și înțeleg eventualele pericole. Copiii nu se vor juca cu aparatul. Curățarea și întreținerea utilizatorului nu trebuie efectuate de copii fără supraveghere.
- Țineți fierul de călcat și cablul acestuia departe de accesul copiilor cu vârsta mai mică de 8 ani atunci când este sub tensiune sau când se răcește.
- Fierul de călcat nu trebuie lăsat nesupravegheat în timp ce este conectat la rețeaua de alimentare.

- Ștecherul trebuie scos din priză înainte ca rezervorul de apă să fie umplut cu apă.
- Fierul de călcat trebuie să fie folosit și așezat pe o suprafață plană și stabilă.
- Când așezați fierul de călcat pe suportul său, asigurați-vă că suprafața pe care este așezat suportul este stabilă.
- Fierul de călcat nu trebuie utilizat dacă a fost scăpat, dacă există semne vizibile de deteriorare sau dacă prezintă scurgeri.
- Dacă cablul de alimentare este deteriorat, acesta trebuie înlocuit de producător, de agentul de service sau de persoane calificate în mod similar, pentru a evita pericolul.
- Acest aparat este destinat exclusiv uzului casnic, nu profesional sau industrial.



ATENȚIE: Suprafețele pot deveni fierbinți în timpul utilizării.

- Acest aparat trebuie conectat numai la o sursă de alimentare cu o impedanță de sistem de $Z_{sys} = 0,291\Omega$ sau mai mică. Înainte de a conecta produsul la rețeaua publică de alimentare, vă rugăm să contactați autoritatea locală de alimentare cu energie electrică pentru a vă asigura că sursa de alimentare îndeplinește cerința de mai sus.
- Asigurați-vă că tensiunea indicată pe plăcuța de identificare a aparatului corespunde tensiunii de la priză, înainte de a branșa aparatul.
- Conectați aparatul la o priză de cel puțin 16 amperi.
- Ștecărul aparatului trebuie să intre corect în priză. Nu modificați ștecărul. Nu utilizați adaptoare pentru ștecăre.
- Nu utilizați aparatul dacă acesta are ștecărul sau cablul de alimentare deteriorat.
- Dacă carcasa aparatului se rupe, deconectați imediat aparatul de la rețea pentru a preveni posibilitatea unui șoc electric.

- Nu trageți de cablul de alimentare. Nu utilizați niciodată cablul de alimentare pentru a ridica, transporta sau deconecta aparatul.
- Nu înfășurați cablul electric în jurul aparatului.
- Verificați starea cablului de alimentare. Cablurile deteriorate sau încurcate măresc riscul de electrocutare.
- Nu lăsați cablul de conectare să atârne liber sau să intre în contact cu suprafețele fierbinți ale aparatului.
- Nu atingeți ștecherul cu mâinile ude.
- Nu utilizați și nici nu depozitați aparatul în exterior.
- Nu lăsați aparatul în ploaie sau expus la umezeală. În cazul în care se infiltrează apă în interiorul aparatului, riscul de electrocutare va crește.
- Temperatura suprafețelor accesibile poate fi ridicată atunci când aparatul este în funcțiune.
- Nu atingeți nicio parte încălzită, deoarece acest lucru poate provoca arsuri grave.

UTILIZARE ȘI ÎNGRIJIRE:

- Întindeți complet cablul de alimentare al aparatului înainte de fiecare utilizare.
- Nu utilizați aparatul dacă accesoriile atașate la acesta sunt defecte. Înlocuiți-le imediat.
- Folosiți mânerul aparatului pentru a-l prinde sau pentru a-l muta.
- Nu folosiți aparatul dacă este înclinat în sus și nu îl întoarceți.
- Nu răsturnați aparatul în timp ce este utilizat sau conectat la rețeaua electrică.
- Pentru a păstra tratamentul antiaderent în stare bună, nu folosiți ustensile metalice sau ascuțite pe el.
- Respectați indicatorul de nivel MAX. (Fig.1)
- Deconectați aparatul de la rețeaua electrică atunci când nu este utilizat și înainte de a întreprinde orice operațiune de curățare.
- Depozitați acest aparat în afara razei de acțiune a copiilor și/sau a persoanelor cu deficiențe fizice, senzoriale sau mentale reduse sau lipsite de experiență și cunoștințe.
- Nu depozitați sau transportați aparatul dacă este încă fierbinte.
- Pentru o funcționare corectă, păstrați talpa în stare corespunzătoare; nu o utilizați peste obiecte metalice (părți metalice ale mesei de călcat, nasturi, fermoare etc.).
- Este recomandabil să folosiți apă distilată, mai ales dacă apa din zona dumneavoastră conține argilă sau dacă este "dură" (cu conținut de calcar sau magneziu).
- Verificați dacă capacul este închis corect înainte de a porni aparatul.

- Nu lăsați niciodată aparatul nesupravegheat în timpul utilizării.
- Nu lăsați niciodată aparatul conectat și nesupravegheat dacă nu este utilizat. Acest lucru economisește energie și prelungește durata de viață a aparatului.
- Nu sprijiniți niciodată aparatul pe o suprafață în timpul utilizării.
- Nu utilizați aparatul pe nicio parte a corpului unei persoane sau al unui animal.
- Nu utilizați aparatul pentru a usca textile de orice fel.
- Rotiți comanda termostatului la setarea minimă (MIN). Acest lucru nu înseamnă că fierul de călcat este oprit permanent.

DESCRIERE

A	Buton de pulverizare
B	Butonul de suflare a aburului
C	Controlul debitului de abur
D	Butonul de curățare automată
E	Tregulator de temperatură
F	Lumina pilotului
G	Gura de umplere
H	Duză Spray
I	Placă de talpă

.

INSTRUCȚIUNI DE UTILIZARE

ÎNAINTE DE UTILIZARE:

- Asigurați-vă că toate ambalajele produselor au fost îndepărtate.
- Vă rugăm să citiți cu atenție broșura "Sfaturi de siguranță și avertismente" înainte de prima utilizare.
- Unele părți ale aparatului au fost ușor unse. În consecință, la prima utilizare a aparatului, este posibil să se detecteze un fum ușor. După un timp scurt, acest fum va dispărea.
- Pentru a elimina mirosul degajat de aparat la prima utilizare, se recomandă ca acesta să fie pornit la putere maximă timp de 10 minute într-o încăpere bine ventilată.
- Pregătiți aparatul în funcție de funcția pe care doriți să o utilizați:

UMPLEREA CU APĂ:

- Este esențial ca depozitul să fie umplut cu apă pentru a putea lucra cu abur.

- Deschideți capacul de admisie a apei.
- Umpleți depozitul - având grijă să respectați nivelul MAX (Fig. 1).
- Închideți capacul de admisie a apei.

UTILIZARE:

- Întindeți complet cablul de alimentare înainte de a-l conecta.
- Conectați aparatul la rețeaua electrică.
- Rotiți butonul de control al termostatului pe poziția de temperatură dorită.
- Nu folosiți temperaturi mai mari decât cele indicate pe hainele care urmează să fie tratate.

- Temperatura pentru fibre sintetice (poliester, nailon).
 - Temperatura pentru mătase și lână.
 - Temperatură pentru bumbac.
- Max Temperatura maximă pentru lenjerie.

- În cazul în care articolul de îmbrăcăminte are diferite tipuri de fibre, selectați temperatura pentru fibra care necesită cea mai scăzută temperatură. (De exemplu, selectați temperatura pentru poliester pentru un articol confecționat din 60% poliester și 40% bumbac).
- Așteptați până când lumina pilotului (F) se stinge, ceea ce va indica faptul că aparatul a atins o temperatură adecvată.
- În timpul utilizării aparatului, lumina pilot (F) se aprinde și se stinge automat, indicând că elementele de încălzire funcționează și, prin urmare, mențin temperatura dorită.

CĂLCAREA USCATĂ:

- Aparatul are un regulator de debit de abur care permite călcarea uscată (fără abur) atunci când este plasat în poziția minimă.

CĂLCAT CU ABUR:

- Este posibil să călcați cu abur ori de câte ori depozitul este umplut cu apă și este selectată o temperatură adecvată.

CONTROLUL DEBITULUI DE ABUR:

- Aparatul are un buton de control al aburului (C) care permite controlul fluxului de abur.

SPRAY:

- Spray-ul poate fi utilizat atât la călcat cu abur, cât și la călcat uscat.
- Apăsăți butonul de pulverizare (A) pentru a utiliza această operațiune.

- Butonul de pulverizare trebuie apăsat de mai multe ori pentru a elibera prima pulverizare.

EXPLOZIE DE ABUR:

- Această funcție oferă un abur suplimentar pentru eliminarea ridurilor.
- Apăsăți butonul de suflare a aburului (B). Așteptați câteva secunde până când vaporii pătrund în fibrele hainei înainte de a apăsa din nou butonul. Pentru o calitate optimă a aburului, nu aplicați mai mult de trei jeturi succesive.
- Butonul de suflare a aburului trebuie apăsat în mod repetat pentru a elibera prima lovitură.

ABURIRE VERTICALĂ:

- Este posibil să călcați perdelele agățate, articole de îmbrăcăminte pe umerasul său, etc. Pentru a face acest lucru, urmați instrucțiunile:
- Selectați temperatura maximă a fierului de călcat în timp ce rotiți regulatorul de temperatură al fierului de călcat în sensul acelor de ceasornic (Fig. 2).
- Mișcați fierul de călcat în direcția de sus în jos în timp ce apăsați butonul de suflare a aburului (B). Important: pentru bumbac și lenjerie, se recomandă să puneți baza fierului de călcat în contact cu materialul. Pentru alte fibre mai delicate, se recomandă să mențineți baza fierului la câțiva centimetri distanță.

DUPĂ CE AȚI TERMINAT DE UTILIZAT APARATUL:

- Selectați poziția minimă (MIN) cu ajutorul comenzii termostatului.
- Deconectați aparatul de la rețeaua electrică.
- Se lasă să se răcească.
- Îndepărtați apa din interiorul aparatului.
- Curățați aparatul.
-

PROTECȚIE TERMICĂ DE SIGURANȚĂ:

- Aparatul este prevăzut cu un dispozitiv de siguranță care protejează aparatul de supraîncălzire.

CURĂȚARE

- Deconectați aparatul de la rețea și lăsați-l să se răcească înainte de a întreprinde orice operațiune de curățare.
- Curățați echipamentul cu o cârpă umedă cu câteva picături de detergent și apoi uscați-l.
- Nu utilizați solvenți sau produse cu un pH acid sau bazic, cum ar fi înălbitorul, sau produse abrazive pentru curățarea aparatului.
- Nu scufundați niciodată aparatul în apă sau în orice alt lichid și nu-l puneți niciodată sub apă curentă.

FUNCȚIE DE AUTOCURĂȚARE:

- Este important să autocurățați aparatul cel puțin o dată pe lună pentru a elimina calciul și orice alte minerale acumulate în interiorul fierului de călcat.
- Umpleți depozitul până la nivelul maxim, așa cum este indicat în secțiunea "Umplerea cu apă".
- Așezați fierul de călcat în poziție verticală, conectați-l la rețeaua electrică și selectați temperatura maximă.
- Lăsați aparatul să se încălzească până când lumina pilotă indică faptul că a atins temperatura de consemnare.
- Scoateți aparatul din priză și puneți-l în chiuvetă.
- Apăsăți butonul de autocurățare și mențineți-l apăsat.
- Lăsați apa să iasă prin orificiile de evacuare a aburului de la bază în timp ce agitați ușor aparatul.
- Eliberați butonul după un minut sau când rezervorul se golește.
- Lăsați fierul de călcat în poziție verticală până când se răcește.

CUM SĂ VĂ DESCURÇAȚI CU INCRUSTAȚIILE DE CALCAR:

- Pentru ca aparatul să funcționeze corect, acesta trebuie să fie lipsit de calcar sau de incrustații de magneziu cauzate de utilizarea apei dure.
- Pentru a preveni acest tip de problemă, recomandăm utilizarea apei cu o mineralizare scăzută a calcarului sau a magneziului.
- Nu se recomandă soluțiile făcute în casă pentru detartrarea acestui aparat, cum ar fi utilizarea oțetului..

DEPANARE

- Orice utilizare necorespunzătoare sau nerespectarea instrucțiunilor determină garanția și responsabilitățile producătorului să devină nule și neavenite.

ANOMALII ȘI REPARAȚII

- Dacă apar probleme, duceți aparatul la un serviciu de asistență tehnică autorizat. Nu încercați să-l demontați sau să-l reparați fără ajutor, deoarece poate fi periculos.

GARANȚIE ȘI ASISTENȚĂ TEHNICĂ

- Acest produs se bucură de recunoașterea și protecția garanției legale în conformitate cu legislația în vigoare. Pentru a vă pune în aplicare drepturile sau interesele, trebuie să mergeți la oricare dintre serviciile noastre oficiale de asistență tehnică.
- Puteți găsi cel mai apropiat accesând următorul link web: <https://www.blackanddecker.eu/>

- De asemenea, puteți solicita informații aferente contactându-ne.
- Puteți descărca acest manual de instrucțiuni și actualizările acestuia la <https://www.blackanddecker.eu/>

PENTRU VERSIUNILE UE ALE PRODUSELOR ȘI/SAU ÎN CAZUL ÎN CARE ESTE OBLIGATORIU ÎN ȚARA DVS ECOLOGIE ȘI RECICLAREA PRODUSULUI

- Materialele din care este alcătuit ambalajul acestui produs sunt incluse într-un sistem de colectare, clasificare și reciclare. Dacă doriți să le aruncați, vă rugăm să folosiți pubelele publice corespunzătoare fiecărui tip de material.
- Produsul nu conține substanțe în concentrații care ar putea fi considerate ca dăunătoare pentru mediu.



Acest simbol înseamnă că, în cazul în care doriți să aruncați aparatul la încheierea duratei sale de funcționare, trebuie să-l duceți la un centru de colectare a deșeurilor autorizat, în vederea colectării selective a deșeurilor de echipamente electrice și electronice (WEEE).

- Acest aparat respectă Directiva 2014/35/EU cu privire la echipamentele electrice destinate utilizării în cadrul unor anumite limite de tensiune, Directiva 2014/30/EU cu privire la compatibilitatea electromagnetică, Directiva 2011/65/EU privind restricțiile de utilizare a anumitor substanțe periculoase în echipamentele electrice și electronice, precum și Directiva 2009/125/EC de instituire a unui cadru pentru stabilirea cerințelor în materie de proiectare ecologică aplicabile produselor cu impact energetic.

Informații privind substanțele care prezintă motive de îngrijorare deosebită (SVHC) în conformitate cu Regulamentul 1907/2006/CE (REACH). Acest produs conține următoarele substanțe SVHC:

Plumb (Pb), număr CAS: 7439-92-1 Cadmiu (Cd), număr CAS: 7440-43-9 Dodecаметилциклоhexasiloxan (D6), număr CAS: 540-97-64-terț-butilfenol (PTBP), număr CAS: 98-54-4

Black & Decker® și BLACK+DECKER™ și siglele Black & Decker® și BLACK+DECKER™ sunt mărci comerciale înregistrate ale The Black & Decker® Corporation și sunt utilizate sub licență. Toate drepturile rezervate. Importat și distribuit de ENGINEERING AND TECHNOLOGY FOR LIFE, SL Avda. Barcelona s/n Oliana, 25790, Spain

ПАРНА СТОМАНА BX1R2606E, BX1R2805E

Уважаеми клиенти,

Много благодарим, че избрахте да закупите продукт на марката Black+Decker.

Технологията, дизайнът и функционалността на същия, както и фактът, че той надвишава най-стриктните норми за качество ще Ви донесат пълно и дълготрайно удоволствие от него.

СЪВЕТИ И ПРЕДУПРЕЖДЕНИЯ ЗА БЕЗОПАСНОСТ

- Прочетете внимателно тази брошура, преди да пуснете уреда в действие. Запазете я за по-нататъшни справки. Несъобразяването с настоящите указания може да стане причина за произшествие.
- Уредът може да бъде използван от хора, неумеещи да боравят с този вид продукти, хора с физически увреждания или деца над 8 години, но само и единствено ако се намират под надзора на някой възрастен, или ако предварително им е обяснено как безопасно да използват уреда, а също и ако разбират наличните рискове. Децата не трябва да играят с уреда. Почистването и поддръжката от страна на потребителя не трябва да се извършват от деца без надзор.
- Дръжте ютията и нейния кабел на място, недостъпно за деца на възраст под 8 години, когато тя е под напрежение или се охлажда.

- Ютията не трябва да се оставя без надзор, докато е свързана към електрическата мрежа.
- Щепселът трябва да се извади от контакта, преди резервоарът за вода да се напълни с вода.
- Ютията трябва да се използва и да се поставя върху равна, стабилна повърхност.
- Когато поставяте ютията върху поставката, се уверете, че повърхността, върху която е поставена поставката, е стабилна.
- Желязото не трябва да се използва, ако е било изпуснато, ако има видими признаци на повреда или ако има течове.
- В случай, че захранващият кабел е повреден, същият следва да бъде заменен от производителя, от службата за поддръжка или подобен квалифициран персонал, с цел да бъде избегнато произшествие.
- Този уред е предназначен единствено за битови нужди, а не за професионална или промишлена употреба.



ВНИМАНИЕ: Повърхностите могат да се нагреят по време на работа.

- Acest aparat trebuie conectat numai la o sursă de alimentare cu o impedanță de sistem de $Z_{sys} = 0,291\Omega$ sau mai mică. Înainte de a conecta produsul la rețeaua publică de alimentare, vă rugăm să contactați autoritatea locală de alimentare cu energie electrică pentru a vă asigura că sursa de alimentare îndeplinește cerința de mai sus.

- Преди включване на уреда към мрежата, уверете се, че посоченият на табелката волтаж с характеристики-те съвпада с волтажа на мрежата.
- Свържете уреда към електрически контакт с мощност най-малко 16 ампера.
- Щепселът на уреда следва да съвпада по вид с електрическия контакт. В никакъв случай не променяйте вида на щепсела. Не използвайте адаптори за щепсела.
- Не използвайте уреда при повреден кабел или щепсел.
- Ако корпусът на уреда се счупи, незабавно изключете уреда от електрическата мрежа, за да предотвратите възможността от токов удар.
- Не дърпайте захранващия кабел. В никакъв случай не използвайте електрическия кабел за повдигане, пренасяне или изключване на апарата.
- Не навивайте електрическия кабел около уреда.
- Проверете състоянието на захранващия кабел. Ако кабелът е повреден или заплетен, опасността от електрически удар нараства.
- Не позволявайте на свързващия кабел да виси свободно или да влиза в контакт с горещите повърхности на уреда.
- Не докосвайте щепсела за включване в мрежата с мокри ръце.
- Не използвайте и не съхранявайте уреда на открито.
- Не излагайте уреда на дъжд и влага. Водата, проникнала в уреда повишава риска от токов удар.
- Температурата на достъпните повърхности може да е висока, когато уредът се използва.
- Не докосвайте нагорещени части, тъй като това може да доведе до сериозни изгаряния.

УПОТРЕБА И ГРИЖИ:

- Преди всяка употреба издърпайте напълно захранващия кабел на уреда.
- Не използвайте уреда, ако прикрепените към него аксесоари са дефектни. Заменете ги незабавно.
- Използвайте дръжката на уреда, за да го хванете или преместите.
- Не използвайте уреда, ако е наклонен, и не го обръщайте.
- Не обръщайте уреда, докато се използва или е включен към електрическата мрежа.
- За да запазите незалепащото покритие в добро състояние, не използвайте метални или заострени прибори върху него.
- Спазвайте индикатора за ниво MAX. (Фиг.1)

- Изключете уреда от електрическата мрежа, когато не го използвате и преди да започнете почистване.
- Съхранявайте този уред на място, недостъпно за деца и/или лица с физически, сензорни или умствени увреждания или с липса на опит и познания.
- Не съхранявайте и не транспортирайте уреда, ако той е все още горещ.
- За да функционира правилно, поддържайте подложката в подходящо състояние; не работете върху метални предмети (метални части на дъската за гладене, копчета, ципове и др.)
- Препоръчително е да използвате дестилирана вода, особено ако водата във вашия район съдържа глина или е "твърда" (съдържа варовик или магнезий).
- Преди да стартирате уреда, проверете дали капакът е добре затворен.
- Никога не оставяйте уреда без надзор, докато се използва.
- Никога не оставяйте уреда свързан и без надзор, ако не се използва. Така се пести енергия и се удължава животът на уреда.
- Никога не поставяйте уреда върху повърхност, докато го използвате.
- Не използвайте уреда върху която и да е част от тялото на човек или животно.
- Не използвайте уреда за сушене на каквото и да е вид текстил.
- Завъртете регулатора на термостата на минималната настройка (MIN). Това не означава, че ютията е изключена за постоянно.

ОПИСАНИЕ

A	Бутон за пръскане
B	Бутон за изпускане на пара
C	Контрол на дебита на парата
D	Бутон за автоматично почистване
E	Регулатор на температурата
F	Сигнална лампа
G	Чучур за пълнене
H	Дюза Spray
I	Гладеща плоча

ИНСТРУКЦИИ ЗА УПОТРЕБА

ПРЕДИ УПОТРЕБА:

- Уверете се, че всички опаковки на продуктите са премахнати.

- Моля, прочетете внимателно брошурата "Съвети и предупреждения за безопасност" преди първата употреба.
- Някои части на уреда са леко смазани. Поради това при първото използване на уреда може да се появи лек дим. След кратко време този дим ще изчезне.
- За да се премахне миризмата, излъчвана от уреда при първото му използване, се препоръчва той да бъде включен на пълна мощност за 10 минути в добре проветрена стая.
- Подгответе уреда в зависимост от функцията, която искате да използвате:

ПЪЛНЕНЕ С ВОДА:

- За да можете да работите с пара, е необходимо да сте напълнили резервоара с вода.
- Отворете капака на входа за вода.
- Напълнете депозита, като внимавате да спазвате нивото MAX (фиг.1).
- Затворете капака на входа за вода.

ИЗПОЛЗВАНЕ:

- Изтеглете захранващия кабел напълно, преди да го включите.
- Свържете уреда към електрическата мрежа.
- Завъртете регулатора на термостата в желаното положение за температура.
- Не използвайте температури, по-високи от посочените върху обработваните дрехи.

- Температура за синтетични влакна (полиестер, найлон).
- Температура за коприна и вълна.
- Температура за памук.

Максимална температура за бельо.

- Ако дрехата има различни видове влакна, изберете температурата за влакното, което изисква най-ниска температура. (Например, изберете температурата за полиестер за изделие, изработено от 60% полиестер и 40% памук).
- Изчакайте, докато пилотната лампичка (F) угасне, което ще покаже, че уредът е достигнал подходяща температура.
- По време на използването на уреда пилотната лампа (F) се включва и изключва автоматично, което показва, че нагревателните елементи работят и следователно поддържат желаната температура.

СУХО ГЛАДЕНЕ:

- Уредът е снабден с регулатор на потока пара, който позволява сухо гладене (без пара), когато е поставен в минимално положение.

ГЛАДЕНЕ С ПАРА:

- Възможно е да гладите с пара, когато резервоарът е напълнен с вода и е избрана подходяща температура.

КОНТРОЛ НА ДЕБИТА НА ПАРАТА:

- Уредът е снабден с копче за регулиране на парата (C), което позволява да се контролира потокът на парата.

СПРЕЙ:

- Спреят може да се използва както за гладене с пара, така и за сухо гладене.
- Натиснете бутона за пръскане (A), за да използвате тази операция.
- Бутонът за пръскане трябва да се натисне многократно, за да се освободи първото пръскане.

ПАРНА ЕКСПЛОЗИЯ:

- Тази функция осигурява допълнителна пара за премахване на бръчките.
- Натиснете бутона за издухване на парата (B). Изчакайте няколко секунди, докато парата проникне във влакната на дрехата, преди да натиснете бутона отново. За да постигнете оптимално качество на парата, не прилагайте повече от три последователни издухвания.
- Бутонът за издухване на парата трябва да се натисне многократно, за да се освободи първата струя.

ВЕРТИКАЛНО ЗАПАРВАНЕ:

- Възможно е да гладите висящи завеси, дрехи на закачалка и др. За да го направите, следвайте инструкциите:
- Изберете максималната температура на ютията, като въртите температурния регулатор на ютията по посока на часовниковата стрелка (фиг. 2).
- Преместете ютията в посока отгоре надолу, докато натискате бутона за изпускане на пара (B). Важно: за памук и лен се препоръчва основата на ютията да бъде в контакт с материала. За други по-деликатни влакна се препоръчва основата на ютията да се държи на разстояние няколко сантиметра.

СЛЕД КАТО ПРИКЛЮЧИТЕ С ИЗПОЛЗВАНЕТО НА УРЕДА:

- Изберете минималното положение (MIN) с помощта на термостата.

- Изключете уреда от електрическата мрежа.
- Оставете да се охлади.
- Отстранете водата от вътрешността на уреда.
- Почистете уреда.
-

ЗАЩИТЕН ТЕРМОЗАЩИТЕН ЕЛЕМЕНТ:

- Уредът е снабден с предпазно устройство, което го предпазва от прегряване.

ПОЧИСТВАНЕ

- Изключете уреда от електрическата мрежа и го оставете да изстине, преди да започнете почистване.
- Почистете оборудването с влажна кърпа с няколко капки течност за миене на съдове и след това го подсушете.
- Не използвайте разтворители или продукти с киселинно или основно рН, като белина, или абразивни продукти за почистване на уреда.
- Никога не потапяйте уреда във вода или друга течност и не го поставяйте под течаща вода.

ФУНКЦИЯ ЗА САМОПОЧИСТВАНЕ:

- Важно е да почиствате уреда поне веднъж месечно, за да отстраните калция и всички други минерали, натрупани в ютията.
- Напълнете резервоара до максималното му ниво, както е посочено в раздела "Пълнене с вода".
- Поставете ютията във вертикално положение, включете я към електрическата мрежа и изберете максималната температура.
- Оставете уреда да се загрее, докато пилотната лампа покаже, че е достигнал зададената температура.
- Изключете уреда от електрическата мрежа и го поставете в мивката.
- Натиснете бутона за самопочистване и го задръжте натиснат.
- Оставете водата да изтече през отворите за пара в основата, като леко разклащате уреда.
- Освободете бутона след една минута или когато резервоарът се изпразни.
- Оставете ютията във вертикално положение, докато изстине.

КАК ДА СЕ СПРАВИТЕ С ВАРОВИКОВИТЕ ОТЛАГАНИЯ:

- За да работи правилно, уредът трябва да се поддържа без варовикови или магнезиеви отлагания, причинени от използването на твърда вода.

- За да предотвратите подобен проблем, препоръчваме използването на вода с ниско съдържание на варовик или магнезий.
- Не се препоръчват домашно приготвени разтвори за отстраняване на котлен камък от този уред, като например използването на оцет.

СЕРВИЗ

- Неправилното използване на уреда или неспазването на указанията за работа е опасно, анулира гаранцията и освобождава производителя от отговорност.

НЕИЗПРАВНОСТИ И РЕМОНТ

- В случай на неизправност, моля отнесете уреда в оторизиран сервиз за техническа обслужване. Моля не се опитвайте да разглобявате уреда или пък да го поправяте - това е опасно.

ГАРАНЦИЯ И ТЕХНИЧЕСКА ПОМОЩ

- Този продукт се ползва с признаването и защитата на правната гаранция в съответствие с действащото законодателство. За да защитите своите права или интереси, трябва да отидете до някоя от нашите официални служби за техническа помощ.
- Можете да намерите най-близкия от тях, като влезете в следната интернет връзка: <https://www.blackanddecker.eu//>
- Можете също да поискате свързана информация, като се свържете с нас.
- Можете да изтеглите това ръководство за употреба и неговите актуализации на адрес <https://www.blackanddecker.eu//>

ЗА РАЗНОВИДНОСТИТЕ ЕУ НА ТОВА ИЗДЕЛИЕ И/ИЛИ В СЛУЧАЯ, ПРИЛОЖИМ ЗА ВАШАТА СТРАНА ОПАЗВАНЕ НА ОКОЛНАТА СРЕДА И РЕЦИКЛИРАНЕ НА ИЗДЕЛИЕТО

- Материалите, от които изработена опаковката на този електроуред са включени в система за тяхното събиране, класифициране и рециклиране. Ако желаете да се освободите от тях, използвайте обществените контейнери, пригодени за всеки отделен вид материал.
- В изделието отсъстват концентрации на вещества, които могат да бъдат определени като вредни за околната среда.



Този символ означава, че ако желаете да се освободите от уреда, след като експлоата-

ционният му живот е изтекъл, трябва да го предадете по подходящ начин на фирма за преработка на отпадъци, оторизирана за разделно събиране на относно отпадъци от електрическо и електронно оборудване (ОЕЕО).

- Настоящият уред изпълнява Директива 2014/35/EU за ниски напрежения, Директива 2014/30/EU за електромагнитно съответствие и с Директива 2011/65/EU за ограниченията при употреба на някои определени опасни вещества в електрически и електронни апарати и с Директива 2009/125/ЕС за изискванията за екологичен дизайн, приложими към изделия, свързани с енергия.

Информация относно вещества, пораждащи сериозно безпокойство (SVHC), съгласно Регламент 1907/2006/ЕО (REACH). Този продукт съдържа следните вещества SVHC:

Олово (Pb), номер по CAS: 7439-92-1 Кадмий (Cd), номер по CAS: 7440-43-9 Додекаметилциклохексасилоксан (D6), номер по CAS: 540-97-64-терт-бутилфенол (PTBP), номер по CAS: 98-54-4

Black & Decker® и BLACK+DECKER™ и логата на Black & Decker® и BLACK+DECKER™ са регистрирани търговски марки на The Black & Decker® Corporation и се използват с лиценз. Всички права запазени.

Внеся се и се разпространява от ENGINEERING AND TECHNOLOGY FOR LIFE, SL Avda. Barcelona s/n Olliana, 25790, Spain

PLANXA DE VAPOR BXIR2606E, BXIR2805E

Benvolgut client,

Moltes gràcies per triar comprar un producte de la marca Black+Decker.

La seva tecnologia, el seu disseny i la seva funcionalitat, així com el fet de superar les normes de qualitat més estrictes, us comportaran una satisfacció total durant molt de temps.

CONSELLS I ADVERTIMENTS DE SEGURETAT

- Llegiu atentament aquest full d'instruccions abans d'engegar l'aparell i conserveu-lo per a consultes posteriors. No observar i incomplir aquestes instruccions pot tenir com a resultat un accident.
- Aquest aparell el poden fer servir nens de més de 8 anys i persones amb capacitats físiques, sensorials o mentals reduïdes o falta d'experiència i coneixement, sempre que tinguin una supervisió o una formació adequada per fer servir l'aparell d'una manera segura i entenguin els riscos que implica. Els nens no han de jugar amb l'aparell. La neteja i el manteniment de l'usuari no l'han de fer els nens sense supervisió.
- Mantingueu la planxa i el seu cable fora de l'abast dels nens menors de 8 anys mentre estigui connectada o s'estigui refredant.
- La planxa no s'ha de deixar sense vigilància mentre estigui connectada a la xarxa elèctrica.

- L'endoll s'ha de treure de la presa de corrent abans que el dipòsit d'aigua s'ompli d'aigua.
- La planxa s'ha d'utilitzar i reposar sobre una superfície plana i estable.
- Quan col·loqueu la planxa al seu suport, assegureu-vos que la superfície sobre la qual es col·loca el suport sigui estable.
- La planxa no s'ha d'utilitzar si s'ha caigut, si hi ha signes visibles de dany o si té fuites.
- Si el cable d'alimentació està malmès, ha de ser substituït pel fabricant, pel servei postvenda o per personal qualificat similar per tal d'evitar qualsevol perill.
- Aquest aparell està pensat únicament per a un ús domèstic, no per a ús professional o industrial.



ATENCIÓ: La temperatura de les superfícies accessibles pot ser elevada quan l'aparell estigui en funcionament.

- Aquest aparell s'ha de connectar només a una font d'alimentació amb una impedància del sistema de Zsys = 0,291Ω o menys. Abans de connectar el producte a la font d'alimentació pública, poseu-vos en contacte amb l'autoritat local d'alimentació per assegurar-vos que la font d'alimentació compleix els requisits anteriors.
- Abans d'endollar l'aparell a la xarxa, comproveu que el voltatge indicat a la placa de característiques coincideix amb el voltatge de xarxa.
- Connecteu l'aparell a una presa de corrent amb una potència mínima de 16 amperes.
- L'endoll de l'aparell ha de coincidir amb la base elèctrica de la presa de corrent. Mai modifiqueu l'endoll. No feu servir adaptadors de corrent.
- No feu servir l'aparell amb el cable elèctric o l'endoll malmesos.

- Si la carcassa de l'aparell es trenca, desendolleu-lo immediatament de la xarxa per evitar la possibilitat de patir un xoc elèctric.
- No estireu del cable d'alimentació. No feu servir mai el cable elèctric per aixecar, transportar o desendollar l'aparell.
- No enrotlleu el cable elèctric de connexió al voltant de l'aparell.
- Comproveu l'estat del cable d'alimentació. Els cables danyats o enredats augmenten el risc de xoc elèctric.
- No deixeu que el cable de connexió pengi lliurement ni entri en contacte amb les superfícies calentes de l'aparell.
- No toqueu l'endoll de connexió amb les mans molles.
- No feu servir ni guardeu l'aparell a la intempèrie.
- No exposeu l'aparell a la pluja o a condicions d'humitat. L'aigua que entri a l'aparell augmentarà el risc de xoc elèctric.
- La temperatura de les superfícies accessibles pot ser elevada quan l'aparell està en ús.
- No toqueu cap part escalfada, ja que pot provocar cremades greus.

ÚS I CURA:

- Esteneu completament el cable d'alimentació de l'aparell abans de cada ús.
- No utilitzeu l'aparell si els accessoris que hi ha connectats són defectuosos. Substituiu-los immediatament.
- Utilitzeu la nansa de l'aparell per agafar-lo o moure'l.
- No utilitzeu l'aparell si està bolcat i no el gireu.
- No gireu l'aparell mentre estigui en ús o connectat a la xarxa.
- Per mantenir el tractament antiadherent en bon estat, no hi utilitzeu estris metàl·lics o punxeguts.
- Respecteu l'indicador de nivell MAX. (Fig.1)
- Desconnecteu l'aparell de la xarxa elèctrica quan no s'utilitzi i abans de realitzar qualsevol tasca de neteja.
- Guardeu aquest aparell fora de l'abast dels nens i/o persones amb problemes físics, sensorials o mentals reduïts o amb manca d'experiència i coneixements.
- No emmagatzemu ni transporteu l'aparell si encara està calent.
- Per al correcte funcionament, mantingueu la sola en bon estat; no opereu sobre objectes metàl·lics (peces metàl·liques de la taula de planxar, botons, cremalleres, etc.)
- És recomanable utilitzar aigua destil·lada, sobretot si l'aigua de la teva zona conté argila o si és "dura" (que conté calç o magnesi).
- Comproveu que la tapa estigui ben tancada abans d'engegar l'aparell.

- No deixeu mai l'aparell desates durant l'ús.
- No deixeu mai l'aparell connectat i sense vigilància si no s'utilitza. Això estalvia energia i allarga la vida útil de l'aparell.
- No deixeu mai l'aparell sobre una superfície durant l'ús.
- No utilitzeu l'aparell en cap part del cos d'una persona o animal.
- No utilitzeu l'aparell per assecar teixits de cap tipus.
- Gireu el control del termòstat a la configuració mínima (MIN). Això no vol dir que la planxa estigui apagada permanentment.

DESCRIPCIÓ

A	Botó Spray
B	Botó d'explosió de vapor
C	Control de flux de vapor
D	Botó de neteja automàtica
E	Regulador de temperatura
F	Llum pilot
G	Tapa d'ompliment
H	Broquet de polvorització
J	Sola

INSTRUCCIONS D'ÚS

ABANS D'UTILITZAR:

- Assegureu-vos que tots els embalatges dels productes s'han retirat.
- Si us plau, llegiu atentament el fulllet "Consells i advertències de seguretat" abans del primer ús.
- Algunes parts de l'aparell s'han engraiat lleugerament. En conseqüència, la primera vegada que s'utilitza l'aparell, es pot detectar un lleuger fum. Al cap de poc temps, aquest fum desapareixerà.
- Per eliminar l'olor que desprèn l'aparell quan es fa servir per primera vegada, es recomana tenir-lo encès a màxima potència durant 10 minuts en una habitació ben ventilada.
- Prepareu l'aparell segons la funció que voleu utilitzar:

OMPLIR AMB AIGUA:

- És imprescindible haver omplert el dipòsit amb aigua per poder treballar amb vapor.
- Obriu la tapa d'entrada d'aigua.
- Ompliu el dipòsit tenint cura d'observar el nivell MAX (Fig.1).
- Tanqueu la tapa d'entrada d'aigua.

ÚS:

- Esteneu completament el cable d'alimentació abans de connectar-lo.
- Connecteu l'aparell a la xarxa.
- Gireu el control del termòstat a la posició de temperatura desitjada.
- No utilitzar temperatures superiors a les indicades a les peces a tractar.

- Temperatura per a fibres sintètiques (polièster, niló).
- Temperatura per a la seda i la llana.
- Temperatura del cotó.

Max Temperatura del lli.

- Si la peça té diversos tipus de fibres, seleccioneu la temperatura per a la fibra que requereixi la temperatura més baixa. (Per exemple, seleccioneu la temperatura del polièster per a un article fet d'un 60% de polièster i un 40% de cotó).
- Espereu fins que s'hagi apagat el llum pilot (F), que indicarà que l'aparell ha arribat a una temperatura adequada.
- Durant l'ús de l'aparell, el llum pilot (F) s'encén i s'apagarà automàticament, indicant que els elements calefactores funcionen i mantenint, per tant, la temperatura desitjada.

PLANXA EN SEC:

- L'aparell disposa d'un regulador de cabal de vapor que permet planxar en sec (sense vapor) quan es col·loca en la posició mínima.

PLANXA AL VAPOR:

- És possible planxar amb vapor sempre que el dipòsit s'ompli d'aigua i es trïi una temperatura adequada.

CONTROL DE FLUX DE VAPOR:

- L'aparell té un botó de control de vapor (C) que permet controlar el flux de vapor.

SPRAY:

- L'esprai es pot utilitzar tant en planxa al vapor com en sec.
- Premeu el botó de polvorització (A) per utilitzar aquesta operació.
- El botó de polvorització s'ha de prémer repetidament per alliberar el primer polvoritzador.

EXPLOSIÓ DE VAPOR:

- Aquesta funció proporciona vapor addicional per eliminar les arrugues.

- Premeu el botó d'explosió de vapor (B). Espereu uns segons fins que el vapor penetri a les fibres de la peça abans de tornar a prémer el botó. Per obtenir una qualitat de vapor òptima, no apliqueu més de tres cops successius.

- El botó d'explosió de vapor s'ha de prémer repetidament per alliberar el primer tret.

COCCIÓ AL VAPOR VERTICAL:

- És possible planxar cortines penjades, peces de roba al seu penjador, etc. Per fer-ho, seguiu les instruccions:
- Seleccioneu la temperatura màxima de la planxa mentre gireu el regulador de temperatura de la planxa en el sentit de les agulles del rellotge (Fig 2).
- Moveu la planxa en direcció de dalt a baix mentre premeu el botó d'explosió de vapor (B). Important: per al cotó i el lli, es recomana posar la base de ferro en contacte amb el material. Per a altres fibres més delicades, es recomana mantenir la base de ferro a uns centímetres de distància.

UN COP HÀGIU ACABAT D'UTILITZAR L'APARELL:

- Seleccioneu la posició mínima (MIN) mitjançant el control del termòstat.
- Desendolleu l'aparell de la xarxa elèctrica.
- Deixeu refredar.
- Traieu l'aigua de l'interior de l'aparell.
- Netegeu l'aparell.

PROTECTOR TÈRMIC DE SEGURETAT:

- L'aparell té un dispositiu de seguretat que protegeix l'aparell del sobreescalfament.

NETEJA

- Desconnecteu l'aparell de la xarxa i deixeu-lo refredar abans de realitzar qualsevol tasca de neteja.
- Netegeu l'equip amb un drap humit amb unes gotes de líquid per rentar i després assequeu-lo.
- No utilitzeu dissolvents o productes amb un pH àcid o base, com ara lleixiu, o productes abrasius, per netejar l'aparell.
- No submergeu mai l'aparell en aigua o cap altre líquid ni el poseu sota l'aigua corrent.

FUNCIÓ D'AUTO-NETEJA:

- És important netejar l'aparell com a mínim un cop al mes per eliminar el calci i qualsevol altre mineral acumulat a l'interior de la planxa.
- Ompliu el dipòsit al màxim, tal com s'indica a l'apartat "Omplir d'aigua".

- Col·loqueu la planxa en posició vertical, endolheu-la a la xarxa i seleccioneu la temperatura màxima.
- Deixeu escalfar l'aparell fins que el llum pilot indiqui que ha arribat a la temperatura prevista.
- Desendolheu l'aparell i col·loqueu-lo a la pica.
- Premeu el botó d'auto-neteja i manteniu-lo premut.
- Deixeu que l'aigua surti a través de les obertures de vapor de la base mentre agiteu lleugerament l'aparell.
- Deixeu anar el botó al cap d'un minut o quan el dipòsit estigui buit.
- Deixeu la planxa en posició vertical fins que s'hagi refredat.

COM ACTUACIÓ AMB LES INCRUSTACIONS DE CALÇ:

- Perquè l'aparell funcioni correctament, s'ha de mantenir lliure de calç o incrustacions de magnesi provocades per l'ús d'aigua dura.
- Per evitar aquest tipus de problemes, recomanem l'ús d'aigua amb poca mineralització de calç o magnesi.
- No es recomana solucions casolanes en la descalcificació d'aquest aparell, com ara l'ús de vinagre.

SERVEI

- L'ús inadequat o en desacord amb les instruccions d'ús pot comportar un perill i anul·lar la garantia i la responsabilitat de fabricant.

ANOMALIES I REPARACIÓ

- En cas d'avaría porteu l'aparell a un Servei d'Assistència Tècnica autoritzat. No intenteu desmuntar-lo ni reparar-lo, ja que hi pot haver perill.

GARANTIA I ASSISTÈNCIA TÈCNICA

- Aquest producte gaudeix del reconeixement i protecció de la garantia legal d'acord amb la legislació vigent. Per fer valer els teus drets o interessos, has de dirigir-te a qualsevol dels nostres serveis oficials d'assistència tècnica.
- Podeu trobar el més proper accedint al següent enllaç web: <https://www.blackanddecker.eu/>
- També podeu sol·licitar informació relacionada posant-vos en contacte amb nosaltres.
- Podeu descarregar-vos aquest manual d'instruccions i les seves actualitzacions a <https://www.blackanddecker.eu/>

PER A LES VERSIONS EU DEL PRODUCTE I/O EN CAS QUE EL PAÍS HO APLIQUI

ECOLOGIA I RECICLABILITAT DEL PRODUCTE

- Els materials que componen l'envàs d'aquest aparell estan integrats en un sistema de recollida, classificació i reciclatge. Si voleu desfer-vos-en, feu servir els contenidors públics adequats per a cada tipus de material.
- El producte està exempt de concentracions de substàncies que es puguin considerar perjudicials per al medi ambient.



Aquest símbol significa que, si us voleu desfer del producte, un cop exhaurida la seva vida, l'heu de dipositar, a través dels mitjans adequats, en mans d'un gestor de residus autoritzat per a la recollida selectiva de Residus d'Aparells Elèctrics i Electrònics (RAEE).

- Aquest aparell compleix amb la Directiva 2014/35/EU de baixa tensió, amb la Directiva 2014/30/EU de compatibilitat electromagnètica, amb la Directiva 2011/65/EU sobre restriccions a la utilització de determinades substàncies perilloses en aparells elèctrics i electrònics i amb la Directiva 2009/125/EC sobre els requisits de disseny ecològic aplicables als productes relacionats amb l'energia.

Informació sobre substàncies de gran preocupació (SVHC) segons el Reglament 1907/2006/CE (REACH). Aquest producte conté les següents substàncies SVHC:

Plom (Pb), Número CAS: 7439-92-1 Cadmi (Cd), Número CAS: 7440-43-9 Dodecametilciclohexasiloxà (D6), Número CAS: 540-97-64-tert-butilfenol (PTBP), Número CAS: 98-54-4

Black & Decker® i BLACK+DECKER™ i els logotips de Black & Decker® i BLACK+DECKER™ són marques registrades de The Black & Decker® Corporation i s'utilitzen sota llicència. Tots els drets reservats. Importat i distribuït per ENGINEERING AND TECHNOLOGY FOR LIFE, SL Avda. Barcelona s/n Oliana, 25790, Espanya

DAMPSTRYGEJERN BXIR2606E, BXIR2805E

Kære kunde,

Mange tak, fordi du valgte at købe et Black+Decker-mærkeprodukt.

Takket være sin teknologi, design og drift og det faktum, at det overstiger de strengeste kvalitetsstandarder, kan en fuldt tilfredsstillende brug og lang produktlevetid sikres.

SIKKERHEDSRÅD OG ADVARSLER

- Læs denne vejledning omhyggeligt, inden du tænder for apparatet, og opbevar dem til senere brug. Manglende overholdelse og overholdelse af disse instruktioner kan føre til en ulykke.
- Dette apparat kan bruges af børn i alderen 8 år og opefter og personer med reducerede fysiske, sensoriske eller mentale evner eller manglende erfaring og viden, hvis de er under opsyn eller har fået instruktion i brugen af apparatet på en sikker måde og forstår de involverede farer. Børn må ikke lege med apparatet. Rengøring og brugervedligeholdelse må ikke udføres af børn uden opsyn.
- Hold strygejernet og dets ledning uden for børns rækkevidde under 8 år, når det er tændt eller køler ned.
- Strygejernet må ikke efterlades uden opsyn, mens det er tilsluttet elnettet.
- Stikproppen skal tages ud af stikkontakten, før vandbeholderen fyldes med vand.
- Strygejernet skal bruges og stå på en flad og stabil overflade.

- Når du placerer strygejernet på stativet, skal du sikre dig, at den overflade, som stativet er placeret på, er stabil.
- Strygejernet må ikke anvendes, hvis det er faldet ned, hvis der er synlige tegn på skader, eller hvis det er utæt.
- Hvis ledningen er beskadiget, skal den udskiftes af fabrikanten, dennes serviceagent eller en lignende kvalificeret person for at undgå fare.
- Dette apparat er kun til husholdningsbrug, ikke professionel, industriel brug.



FORSIGTIG: Overfladerne kan blive varme under brug.

- Dette apparat må kun tilsluttes en strømforsyning med en systemimpedans på $Z_{sys} = 0,291\Omega$ eller mindre. Før du tilslutter produktet til den offentlige strømforsyning, bedes du kontakte din lokale strømforsyningsmyndighed for at sikre, at strømforsyningen opfylder ovenstående krav.
- Sørg for, at den spænding, der er angivet på klassificeringsetiketten, svarer til netspændingen, inden apparatet sættes i stikkontakten.
- Tilslut apparatet til en stikkontakt på mindst 16 ampere.
- Apparatets stik skal passe korrekt i stikkontakten. Du må ikke ændre stikket. Brug ikke stikadaptere.
- Brug ikke apparatet, hvis kablet eller stikket er beskadiget.
- Hvis apparatets kabinet går i stykker, skal du straks afbryde apparatet fra lysnettet for at forhindre muligheden for elektrisk stød.
- Træk ikke i forsyningsledningen. Brug aldrig netledningen til at løfte apparatet op, bære eller tage stikket ud af stikkontakten.
- Sæt ikke netledningen rundt om apparatet.
- Kontroller forsyningsledningens tilstand. Beskadigede eller sammenfildrede kabler øger risikoen for elektrisk stød.
- Tilslutningskablet må ikke hænge frit og må ikke komme i kontakt med apparatets varme overflader.
- Rør ikke ved stikket med våde hænder.
- Brug eller opbevar ikke apparatet udendørs.

- Lad ikke apparatet være ude i regnvejr eller udsættes for fugt. Hvis der kommer vand ind i apparatet, vil dette øge risikoen for elektrisk stød.
- Temperaturen på de tilgængelige overflader kan være høj, når apparatet er i brug.
- Rør ikke ved nogen opvarmede dele, da dette kan medføre alvorlige forbrændinger.

BRUG OG PLEJE:

- Træk apparatets ledning helt ud før hver brug.
- Brug ikke apparatet, hvis det tilbehør, der er monteret på det, er defekt. Udskift det med det samme.
- Brug apparatets håndtag til at gribe det eller flytte det.
- Brug ikke apparatet, hvis det er væltet, og vend det ikke om.
- Vend ikke apparatet, mens det er i brug eller tilsluttet lysnettet.
- For at holde non-stick-behandlingen i god stand, må du ikke bruge metal eller spidse redskaber på den.
- Respekter indikatoren for MAX-niveau. (Fig.1)
- Tag stikket ud af stikkontakten, når apparatet ikke er i brug, og før du går i gang med at rengøre det.
- Opbevar dette apparat utilgængeligt for børn og/eller personer med fysiske, sensoriske eller mentale funktionsnedsættelser eller manglende erfaring og viden.
- Apparatet må ikke opbevares eller transporteres, hvis det stadig er varmt.
- For korrekt funktion skal strygesålen holdes i god stand; brug ikke strygesålen over metalgenstande (strygebrætets metaldele, knapper, lynlåse osv.).
- Det tilrådes at bruge destilleret vand, især hvis vandet i dit område indeholder ler, eller hvis det er "hårdt" (indeholder kalk eller magnesium).
- Kontrollér, at låget er lukket korrekt, før du starter apparatet.
- Efterlad aldrig apparatet uden opsyn, mens det er i brug.
- Lad aldrig apparatet være tilsluttet og uden opsyn, når det ikke er i brug. Det sparer energi og forlænger apparatets levetid.
- Lad aldrig apparatet hvile på en overflade, mens det er i brug.
- Brug ikke apparatet på nogen del af en persons eller et dyrs krop.
- Brug ikke apparatet til at tørre tekstiler af nogen art.
- Drej termostatreguleringen til minimum (MIN). Det betyder ikke, at strygejern er slukket permanent.

BESKRIVELSE

- A Spray-knap
- B Dampblæsningsknap
- C Kontrol af dampgennemstrømning
- D Auto-rengøringsknap
- E Temperaturregulator
- F Pilotlys
- G Påfyldningstud
- H Spray-dyse
- I Sålplade

INSTRUKTIONER TIL BRUG

FØR BRUG:

- Sørg for, at alle produktets emballage er fjernet.
- Læs venligst hæftet "Sikkerhedsanvisninger og advarsler" omhyggeligt før første brug.
- Nogle af apparatets dele er blevet let smurt. Derfor kan der forekomme let røg, første gang apparatet tages i brug. Efter kort tid vil denne røg forsvinde.
- For at fjerne lugten fra apparatet, når det bruges første gang, anbefales det at have det tændt ved fuld styrke i 10 minutter i et godt ventileret rum.
- Klargør apparatet i henhold til den funktion, du ønsker at bruge:

FYLDNING MED VAND:

- Det er vigtigt at have fyldt depotet med vand for at kunne arbejde med damp.
- Åbn låget til vandindtaget.
- Fyld depotet - vær opmærksom på MAX-niveauet (Fig.1).
- Luk låget til vandindtaget.

BRUG:

- Træk ledningen helt ud, før du sætter den i stikkontakten.
- Tilslut apparatet til lysnettet.
- Drej termostatkontrollen til den ønskede temperaturposition.
- Brug ikke højere temperaturer end dem, der er angivet på det tøj, der skal behandles.
 - Temperatur for syntetiske fibre (polyester, nylon).
 - Temperatur for silke og uld.
 - Temperatur for bomuld.
- Max Temperatur for linned.

- Hvis tøjet består af forskellige slags fibre, skal du vælge temperaturen for den fiber, der kræver den laveste temperatur. (Vælg f.eks. temperaturen for polyester til en artikel, der er lavet af 60% polyester og 40% bomuld).
- Vent, indtil kontrollampen (F) er slukket, hvilket indikerer, at apparatet har nået en passende temperatur.
- Når apparatet er i brug, tændes og slukkes kontrollampen (F) automatisk, hvilket indikerer, at varmeelementerne fungerer og derfor opretholder den ønskede temperatur.

TØR STRYGNING:

- Apparatet har en dampstrømsregulator, der tillader tørstrygning (uden damp), når den er placeret i minimumsposition.

DAMPSTRYGNING:

- Det er muligt at stryge med damp, når beholderen er fyldt med vand, og der er valgt en passende temperatur.

KONTROL AF DAMPFLOW:

- Apparatet har en dampkontrolknop (C), der gør det muligt at styre dampstrømmen.

SPRAY:

- Sprayen kan bruges til både damp- og tørstrygning.
- Tryk på sprayknappen (A) for at bruge denne funktion.
- Sprayknappen skal trykkes ned gentagne gange for at udløse den første spray.

DAMPSTØD:

- Denne funktion giver ekstra damp til eliminering af rynker.
- Tryk på dampblæsningsknappen (B). Vent et par sekunder, indtil dampen trænger ind i tøjets fibre, før du trykker på knappen igen. For at opnå optimal dampkvalitet bør du ikke anvende mere end tre på hinanden følgende tryk.
- Der skal trykkes gentagne gange på dampblæsningsknappen for at udløse det første skud.

LODRET DAMPNING:

- Det er muligt at stryge hængende gardiner, beklædningsgenstande på sin bøjle osv. Følg instruktionerne for at gøre det:
- Vælg strygejernets maksimale temperatur, mens du drejer strygejernets temperaturregulator i urets retning (fig. 2).
- Bevæg strygejernet i en retning fra top til bund, mens du trykker på dampknappen (B). Vigtigt: Til bomuld og hør anbefales det at sætte strygejernets bund i kontakt med materialet. Til andre mere sarte fibre anbefales det at holde strygejernsbasen på nogle centimeters afstand.

NÅR DU ER FÆRDIG MED AT BRUGE APPARATET:

- Vælg minimumspositionen (MIN) ved hjælp af termostatstyringen.
- Tag apparatets stik ud af stikkontakten.
- Lad det køle af.
- Fjern vandet fra apparatets inderside.
- Rengør apparatet.

TERMISK SIKKERHEDSBESKYTTER:

- Apparatet har en sikkerhedsanordning, som beskytter apparatet mod overophedning.

RENGØRING

- Tag stikket ud af stikkontakten, og lad apparatet køle af, før du begynder at rengøre det.
- Rengør udstyret med en fugtig klud med et par dråber opvaskemiddel, og tør det derefter.
- Brug ikke opløsningsmidler eller produkter med en sur eller basisk pH-værdi, såsom blegemiddel, eller slibende produkter til rengøring af apparatet.
- Nedsænk aldrig apparatet i vand eller andre væsker, og sæt det aldrig under rindende vand.

SELVRENSENDE FUNKTION:

- Det er vigtigt at selvrense apparatet mindst en gang om måneden for at fjerne kalk og andre ophobede mineraler inde i jernet.
- Fyld beholderen op til det maksimale niveau, som angivet i afsnittet "Påfyldning af vand".
- Stil strygejernet i lodret position, sæt det i stikkontakten, og vælg den maksimale temperatur.
- Lad apparatet varme op, indtil kontrollampen viser, at det har nået den indstillede temperatur.
- Træk stikket ud, og læg apparatet i vasken.
- Tryk på selvrensningknappen, og hold den nede.
- Lad vandet løbe ud gennem dampåbningerne i bunden, mens du ryster apparatet let.
- Slip knappen efter et minut, eller når tanken er tom.
- Lad strygejernet stå i lodret position, indtil det er kølet af.

HVORDAN MAN HÅNTERER KALKBELÆGNINGER:

- For at apparatet kan fungere korrekt, skal det holdes fri for kalk- eller magnesiumbelægninger, der skyldes brug af hårdt vand.
- For at undgå den slags problemer anbefaler vi, at man bruger vand med lav kalk- eller magnesiummineralisering.
- Hjemmelavede løsninger anbefales ikke til afkalkning af dette apparat, f.eks. brug af eddike.

TJENESTE

- Enhver misbrug eller manglende overholdelse af brugsanvisningen gør garantien og producentens ansvar ugyldig.

UREGELMÆSSIGHEDER OG REPARATION

- Tag apparatet til en autoriseret teknisk supporttjeneste, hvis der opstår problemer. Forsøg ikke at afmontere eller reparere uden hjælp, da dette kan være farligt.

GARANTI OG TEKNISK ASSISTANCE

- Dette produkt nyder godt af anerkendelsen og beskyttelsen af den juridiske garanti i overensstemmelse med gældende lovgivning. For at håndhæve dine rettigheder eller interesser skal du gå til en af vores officielle tekniske assistancetjenester.
- Du kan finde den nærmeste ved at gå ind på følgende link: <https://www.blackanddecker.eu/>
- Du kan også anmode om relaterede oplysninger ved at kontakte os.
- Du kan downloade denne brugsanvisning og dens opdateringer på <https://www.blackanddecker.eu/>

FOR EU-PRODUKTVERSIONER OG/ELLER I TILFÆLDE AF, AT DER ANMODES OM DET I DIT LAND ØKOLOGI OG GENANVENDELIGHED AF PRODUKTET

- De materialer, som emballagen til dette apparat består af, indgår i et indsamlings-, klassificerings- og genvindingsystem. Hvis du ønsker at bortskaffe dem, skal du bruge de relevante offentlige containere til hver type materiale.
- Produktet indeholder ikke koncentrationer af stoffer, der kan betragtes som skadelige for miljøet.



Dette symbol betyder, at hvis du ønsker at bortskaffe produktet, når dets levetid er ophørt, skal du tage det til et godkendt affaldsmiddel til selektiv indsamling af affald af elektrisk og elektronisk udstyr (WEEE).

- Dette apparat er i overensstemmelse med direktiv 2014/35/EU om lavspænding, direktiv 2014/30/EU om elektromagnetisk kompatibilitet, direktiv 2011/65/EU om begrænsning af anvendelsen af visse farlige stoffer i elektrisk og elektronisk udstyr og direktiv 2009/125/EF om krav til miljøvenligt design af energirelaterede produkter.

Oplysninger om særligt problematiske stoffer (SVHC) i henhold til forordning 1907/2006/EF (REACH). Dette produkt indeholder følgende SVHC-stoffer:

Bly (Pb), CAS-nummer: 7439-92-1 Cadmium (Cd), CAS-nummer: 7440-43-9 Dodecamethylcyclohexasiloxan (D6), CAS-nummer: 540-97-64-tert-butylphenol (PTBP), CAS-nummer: 98-54-4

Black & Decker® og BLACK+DECKER™ og Black & Decker® og BLACK+DECKER™ logoerne er registrerede varemærker tilhørende The Black & Decker® Corporation og bruges under licens. Alle rettigheder forbeholdes. Importeret og distribueret af ENGINEERING AND TECHNOLOGY FOR LIFE, SL Avda. Barcelona s/n Oliana, 25790, Spain

DAMPJERN BXIR2606E, BXIR2805E

Kjære kunde,

Tusen takk for at du valgte å kjøpe et Black+Decker-merkeprodukt.

Takket være sin teknologi, design og drift og det faktum at den overgår de strengeste kvalitetsstandardene, kan en fullt tilfredsstillende bruk og lang levetid sikres.

SIKKERHETSRÅD OG ADVARSLER

- Les disse instruksjonene nøye før du slår på apparatet og oppbevar dem for fremtidig referanse. Unnlattelse av å følge og følge disse instruksjonene kan føre til en ulykke.
- Dette apparatet kan brukes av barn i alderen 8 år og eldre og personer med redusert fysisk, sensorisk eller mental evne eller mangel på erfaring og kunnskap hvis de har fått tilsyn eller instruksjon om bruk av apparatet på en sikker måte og forstår farene som er forbundet med. Barn skal ikke leke med apparatet. Rengjøring og brukervedlikehold skal ikke utføres av barn uten tilsyn.
- Hold strykejernet og ledningen utilgjengelig for barn under 8 år når det er strømførende eller avkjøles.
- Strykejernet må ikke stå uten tilsyn mens det er koblet til strømmettet.
- Støpselet må tas ut av stikkkontakten før vannbeholderen fylles med vann.
- Strykejernet må brukes og hvile på en flat, stabil overflate.

- Når du plasserer strykejernet på stativet, sørg for at underlaget som stativet er plassert på er stabilt.
- Strykejernet skal ikke brukes hvis det har falt, hvis det er synlige tegn på skade eller hvis det lekker.
- Hvis strømledningen er skadet, må den byttes ut av produsenten, dens serviceagent eller en lignende kvalifisert person for å unngå fare.
- Dette apparatet er kun til husholdningsbruk, ikke profesjonell, industriell bruk.



FORSIKTIG: Overflatene kan bli varme under bruk.

- Dette apparatet skal kun kobles til en strømforsyning med en systemimpedans på $Z_{sys} = 0,291\Omega$ eller mindre. Før du kobler produktet til det offentlige strømmettet, må du kontakte den lokale strømforsyningsmyndigheten for å forsikre deg om at strømforsyningen oppfyller kravene ovenfor.
- Forsikre deg om at spenningen som er angitt på klassifiseringsetiketten samsvarer med nettspenningen før du kobler til apparatet.
- Koble apparatet til en stikkontakt på minst 16 ampere.
- Apparats støpselet må passe ordentlig inn i stikkkontakten. Ikke endre støpselet. Ikke bruk pluggadaptere.
- Ikke bruk apparatet hvis kabelen eller støpselet er skadet.
- Hvis apparatets kabinett går i stykker, koble apparatet fra strømmettet umiddelbart for å unngå muligheten for elektrisk støt.
- Ikke trekk i strømledningen. Bruk aldri strømledningen til å løfte opp, bære eller trekke ut støpselet.
- Ikke pakk strømledningen rundt apparatet.
- Sjekk tilstanden til strømledningen. Skadede eller sammenfiltrede kabler øker risikoen for elektrisk støt.
- Ikke la tilkoblingskabelen henge fritt eller komme i kontakt med apparatets varme overflater.
- Ikke berør støpselet med våte hender.
- Ikke bruk eller oppbevar apparatet utendørs.
- Ikke la apparatet stå ute i regnet eller utsettes for fuktighet. Hvis vann kommer inn i apparatet, vil dette øke risikoen for elektrisk støt.

- Temperaturen på de tilgjengelige overflatene kan være høy når apparatet er i bruk.
- Ikke berør noen oppvarmede deler, da dette kan forårsake alvorlige brannskader.

BRUK OG STELL:

- Trekk ledningen helt ut før hver bruk.
- Ikke bruk apparatet hvis tilbehøret som er festet til det er defekt. Skift det ut umiddelbart.
- Bruk apparatets håndtak til å fange det opp eller flytte det.
- Ikke bruk apparatet hvis det er tippet opp, og ikke snu det.
- Ikke snu apparatet mens det er i bruk eller tilkoblet strømmettet.
- For å holde non-stick-behandlingen i god stand må du ikke bruke metall eller spisse redskaper på den.
- Respekter MAX-nivåindikatoren. (Fig. 1)
- Koble apparatet fra strømmettet når det ikke er i bruk og før du utfører rengjøringsarbeid.
- Oppbevar apparatet utilgjengelig for barn og/eller personer med nedsatt fysisk, sensorisk eller mental funksjonsevne eller manglende erfaring og kunnskap.
- Ikke oppbevar eller transporter apparatet hvis det fortsatt er varmt.
- For å sikre korrekt bruk må strykesålen holdes i god stand, og den må ikke brukes over metallgjenstander (metalldele på strykebrettet, knapper, glidelåser osv.).
- Det anbefales å bruke destillert vann, spesielt hvis vannet i ditt område inneholder leire eller "hard" (inneholder kalk eller magnesium).
- Kontroller at lokket er ordentlig lukket før du starter apparatet.
- La aldri apparatet stå uten tilsyn når det er i bruk.
- La aldri apparatet være tilkoblet og uten tilsyn når det ikke er i bruk. Dette sparer energi og forlenger apparatets levetid.
- Apparatet må aldri hvile på en flate mens det er i bruk.
- Ikke bruk apparatet på noen del av kroppen til mennesker eller dyr.
- Ikke bruk apparatet til å tørke tekstiler av noe slag.
- Vri termostatkontrollen til minimum (MIN). Dette betyr ikke at strykejernet er slått av permanent.

BESKRIVELSE

- A Sprayknapp
- B Knapp for dampblåsing
- C Regulering av dampgjennomstrømning
- D Knapp for automatisk rengjøring
- E Temperaturregulator
- F Pilotlys
- G Fyllingstut
- H Spray-dyse
- I Såleplate

BRUKSANVISNING

FØR BRUK:

- Forsikre deg om at all emballasje er fjernet.
- Les nøye gjennom heftet "Sikkerhetsråd og advarsler" før første gangs bruk.
- Enkelte deler av apparatet er lett innfettet. Derfor kan det oppstå lett røykutvikling første gang apparatet tas i bruk. Etter kort tid vil denne røyken forsvinne.
- For å eliminere lukten som apparatet avgir når det brukes for første gang, anbefales det å ha det på full effekt i 10 minutter i et godt ventilert rom.
- Klargjør apparatet i henhold til funksjonen du ønsker å bruke:

PÅFYLLING AV VANN:

- Det er viktig å ha fylt depotet med vann for å kunne arbeide med damp.
- Åpne lokket til vanninntaket.
- Fyll på beholderen - pass på MAX-nivået (fig. 1).
- Lukk lokket til vanninntaket.

BRUK:

- Trekk strømledningen helt ut før du kobler den til.
- Koble apparatet til strømmettet.
- Vri termostatkontrollen til ønsket temperaturposisjon.
- Ikke bruk høyere temperaturer enn det som er angitt på plaggene som skal behandles.

- Temperatur for syntetiske fibre (polyester, nylon).
 - Temperatur for silke og ull.
 - Temperatur for bomull.
- Maks Temperatur for lin.

- Hvis plagget består av ulike typer fibre, velger du temperaturen for den fiberen som krever lavest temperatur. (Velg

for eksempel temperaturen for polyester for et plagg som består av 60 % polyester og 40 % bomull).

- Vent til kontrollampen (F) har slukket, noe som indikerer at apparatet har nådd en tilstrekkelig temperatur.
- Når apparatet er i bruk, vil kontrollampen (F) tennes og slukkes automatisk, noe som indikerer at varmeelementene fungerer og dermed opprettholder ønsket temperatur.

TØRRSTRYKING:

- Apparaten har en dampmengderegulator som gjør det mulig å stryke tørt (uten damp) når apparatet står i minimumsposisjon.

DAMPSTRYKING:

- Det er mulig å stryke med damp når beholderen er fylt med vann og en passende temperatur er valgt.

REGULERING AV DAMPGJENNOMSTRØMNINGEN:

- Apparaten har en dampreguleringsknott (C) som gjør det mulig å regulere dampmengden.

SPRAY:

- Sprayen kan brukes til både damp- og tørrstryking.
- Trykk på sprayknappen (A) for å bruke denne funksjonen.
- Sprayknappen må trykkes inn flere ganger for å utløse den første sprayen.

DAMPEKSPLOSJON:

- Denne funksjonen gir ekstra damp for å fjerne rynker.
- Trykk på dampblåsningsknappen (B). Vent noen sekunder til dampen trenger inn i plaggets fibre før du trykker på knappen igjen. For å oppnå optimal dampkvalitet bør du ikke bruke mer enn tre dampstøt etter hverandre.
- Knappen for dampblåsing må trykkes inn flere ganger for å utløse det første skuddet.

VERTIKAL DAMPING:

- Det er mulig å stryke hengende gardiner, klesplagg på hengeren osv. Følg instruksjonene for å gjøre det:
- Velg maksimal temperatur på strykejernet ved å vri temperaturregulatoren på strykejernet med klokken (fig. 2).
- Beveg strykejernet i retning ovenfra og ned mens du trykker på dampknappen (B). Viktig: For bomull og lin anbefales det at strykejernet underdel kommer i kontakt med materialet. For andre mer ømfintlige fibre anbefales det å holde strykejernsbasen på noen centimeters avstand.

NÅR DU ER FERDIG MED Å BRUKE APPARATET:

- Velg minimumsposisjon (MIN) ved hjelp av termostatkontrollen.
- Koble apparatet fra strømmettet.

- La det avkjøles.
- Fjern vannet fra innsiden av apparatet.
- Rengjør apparatet.

TERMISK SIKKERHETSBEKYTTELSE:

- Apparaten har en sikkerhetsanordning som beskytter apparatet mot overoppheting.

RENGJØRING

- Koble apparatet fra strømmettet og la det avkjøles før du begynner å rengjøre det.
- Rengjør utstyret med en fuktig klut tilsatt noen dråper oppvaskmiddel og tørk det deretter.
- Ikke bruk løsemidler eller produkter med sur eller basisk pH-verdi, for eksempel blekemiddel eller skuremidler, til rengjøring av apparatet.
- Senk aldri apparatet ned i vann eller annen væske, og plasser det aldri under rennende vann.

SELVRENSENDE FUNKSJON:

- Det er viktig å rengjøre apparatet minst én gang i måneden for å fjerne kalsium og andre mineraler som har bygget seg opp i strykejernet.
- Fyll beholderen til maksimalt nivå, som angitt i avsnittet "Påfylling av vann".
- Plasser strykejernet i vertikal stilling, koble det til strømmettet og velg maksimal temperatur.
- La apparatet varme opp til kontrollampen viser at det har nådd temperaturen det er beregnet for.
- Trekk ut støpselet og legg apparatet i vasken.
- Trykk på selvrensjøringsknappen og hold den nede.
- La vannet renne ut gjennom dampåpningene i sokkelen mens du rister lett på apparatet.
- Slipp knappen etter ett minutt eller når tanken er tom.
- La strykejernet stå i loddrett stilling til det er avkjølt.

HVORDAN DU HÅNTERER KALKAVLEIRINGER:

- For at apparatet skal fungere korrekt, må det holdes fritt for kalk- og magnesiumbelegg som skyldes bruk av hardt vann.
- For å unngå slike problemer anbefaler vi å bruke vann med lav kalk- eller magnesiummineralisering.
- Hjemmelagde løsninger anbefales ikke til avkalking av dette apparatet, for eksempel bruk av eddik.

TJENESTE

- Eventuelt misbruk eller unnlatelse av å følge bruksanvisningen gjør garantien og produsentens ansvar ugyldig.

ANOMALIER OG REPARASJON

- Ta apparatet til en autorisert teknisk supporttjeneste hvis det oppstår problemer. Ikke prøv å demontere eller reparere uten hjelp, da dette kan være farlig.

GARANTI OG TEKNISK HJELP

- Dette produktet nyter godt av anerkjennelsen og beskyttelsen av den juridiske garantien i samsvar med gjeldende lovgivning. For å håndheve dine rettigheter eller interesser, må du gå til noen av våre offisielle tekniske assistansetjenester.
- Du finner den nærmeste ved å gå til følgende nettside: <https://www.blackanddecker.eu/>
- Du kan også be om relatert informasjon ved å kontakte oss.
- Du kan laste ned denne bruksanvisningen og dens oppdateringer på <https://www.blackanddecker.eu/>

FOR EU-PRODUKTVERSJONER OG/ELLER I TILFELLE DET BLIR BEDT OM I DITT LAND

ØKOLOGI OG RESIRKULERBARHET AV PRODUKTET

- Materialene som emballasjen til dette apparatet består av, er inkludert i et innsamlings-, klassifiserings- og resirkuleringssystem. Skulle du ønske å avhende dem, bruk passende offentlige containere for hver type materiale.
- Produktet inneholder ikke konsentrasjoner av stoffer som kan anses som skadelige for miljøet.



Dette symbolet betyr at i tilfelle du ønsker å avhende produktet når arbeidslivet er avsluttet, ta det med til et autorisert avfallsmiddel for selektiv innsamling av elektrisk og elektronisk avfall (WEEE).

- Dette apparatet overholder direktiv 2014/35/EU om lavspenning, direktiv 2014/30/EU om elektromagnetisk kompatibilitet, direktiv 2011/65/EU om restriksjoner i bruk av visse farlige stoffer i elektrisk og elektronisk utstyr og direktiv 2009/125/EF om økodesignkrav for energirelaterte produkter.

Informasjon om særlig problematiske stoffer (SVHC) i henhold til forordning 1907/2006/EF (REACH). Dette produktet inneholder følgende SVHC-stoffer:

Bly (Pb), CAS-nummer: 7439-92-1Kadmium (Cd), CAS-nummer: 7440-43-9 Dodecamethylcyclohexasiloxane (D6), CAS-nummer: 540-97-64-tert-butylphenol (PTBP), CAS-nummer: 98-54-4

Black & Decker® og BLACK+DECKER™ og Black & Decker® og BLACK+DECKER™ logoene er registrerte varemerker for The Black & Decker® Corporation og

brukes under lisens. Alle rettigheter forbeholdt.
Importert og distribuert av ENGINEERING AND TECHNOLOGY FOR LIFE, SL Avda. Barcelona s/n Oliana, 25790, Spain

ÅNGJÄRN BXIR2606E, BXIR2805E

Kära kund,

Stort tack för att du valde att köpa en Black+Decker-märkt-sprodukt.

Tack vare dess teknik, utformning och funktion och det faktum att den uppfyller de strängaste kvalitetsnormerna kan man vara säker på att den används på ett tillfredsställande sätt och har en lång livslängd.

SÄKERHETSÅD OCH VARNINGAR

- Läs igenom dessa anvisningar noggrant innan du sätter igång apparaten och spara dem för framtida bruk. Om du inte följer och iakttar dessa anvisningar kan det leda till en olycka.
- Denna apparat kan användas av barn från 8 år och äldre och personer med nedsatt fysisk, sensorisk eller mental förmåga eller bristande erfarenhet och kunskap om de har fått tillsyn eller instruktioner om hur apparaten ska användas på ett säkert sätt och förstår riskerna. Barn får inte leka med apparaten. Rengöring och användarunderhåll får inte utföras av barn utan tillsyn.
- Håll strykjärnet och dess sladd utom räckhåll för barn under 8 år när det är igång eller kyls ned.
- Strykjärnet får inte lämnas obevakat när det är anslutet till elnätet.
- Stickproppen måste tas ur uttaget innan vattenbehållaren fylls med vatten.
- Strykjärnet måste användas och vila på ett plant och stabilt underlag.

- När du placerar strykjärnet på stativet ska du se till att ytan som stativet står på är stabil.
- Strykjärnet får inte användas om det har tappats, om det finns synliga tecken på skador eller om det läcker.
- Om sladden är skadad måste den bytas ut av tillverkaren, dess serviceagent eller en liknande kvalificerad person för att undvika fara.
- Den här apparaten är endast avsedd för hushållsbruk, inte för professionell eller industriell användning.



OBSERVERA: Ytorna kan bli varma under användning.

- Denna apparat får endast anslutas till ett nät med en systemimpedans på $Z_{sys} = 0,291\Omega$ eller mindre. Innan du ansluter produkten till det allmänna elnätet, kontakta din lokala elförsörjningsmyndighet för att säkerställa att elnätet uppfyller ovanstående krav.
- Kontrollera att den spänning som anges på märkskylten stämmer överens med nätspänningen innan du kopplar in apparaten.
- Anslut apparaten till ett eluttag på minst 16 ampere.
- Apparatsens stickpropp måste sitta ordentligt i eluttaget. Ändra inte kontakten. Använd inte adapter för stickproppar.
- Använd inte apparaten om kabeln eller kontakten är skadad.
- Om apparatens hölje går sönder, koppla omedelbart bort apparaten från elnätet för att förhindra risken för en elektrisk stöt.
- Dra inte i nätsladden. Använd aldrig nätkabeln för att lyfta upp, bära eller dra ur apparaten.
- Linda inte nätsladden runt apparaten.
- Kontrollera strömsladdens tillstånd. Skadade eller trassliga kablar ökar risken för elektriska stötar.
- Låt inte anslutningskabeln hänga fritt eller komma i kontakt med apparatens varma ytor.
- Rör inte kontakten med våta händer.
- Använd eller förvara inte apparaten utomhus.

- Låt inte apparaten stå ute i regn eller utsättas för fukt. Om vatten tränger in i apparaten ökar risken för elektriska stötar.
- Temperaturen på de tillgängliga ytorna kan vara hög när apparaten används.
- Rör inte vid någon uppvärmd del, eftersom det kan orsaka allvarliga brännskador.

ANVÄNDNING OCH SKÖTSEL:

- Dra ut apparatens nätkabel helt före varje användningstillfälle.
- Använd inte apparaten om de medföljande tillbehören är defekta. Byt ut dem omedelbart.
- Använd apparatens handtag för att fånga eller flytta den.
- Använd inte apparaten om den lutar uppåt och vänd inte på den.
- Vänd inte på apparaten när den används eller är ansluten till elnätet.
- För att hålla non-stickbehandlingen i gott skick ska du inte använda metallredskap eller spetsiga redskap på den.
- Respektera indikatorn för MAX-nivå. (Fig.1)
- Koppla bort apparaten från elnätet när den inte används och innan du påbörjar någon rengöring.
- Förvara apparaten utom räckhåll för barn och/eller personer med nedsatt fysisk, sensorisk eller mental förmåga eller bristande erfarenhet och kunskap.
- Förvara eller transportera inte apparaten om den fortfarande är varm.
- För korrekt funktion, håll stryksulan i gott skick; använd den inte över metallföremål (strykbrädans metalldelar, knappar, blyxtlås etc.)
- Det är tillrådligt att använda destillerat vatten, särskilt om vattnet i ditt område innehåller lera eller om det är "hårt" (innehåller kalk eller magnesium).
- Kontrollera att locket är ordentligt stängt innan du startar apparaten.
- Lämna aldrig apparaten utan uppsikt när den används.
- Lämna aldrig apparaten inkopplad och utan uppsikt när den inte används. Detta sparar energi och förlänger apparatens livslängd.
- Låt aldrig apparaten vila på en yta när den används.
- Använd inte apparaten på någon del av kroppen på en person eller ett djur.
- Använd inte apparaten för att torka textilier av något slag.
- Vrid termostatreglaget till den lägsta inställningen (MIN). Detta innebär inte att strykjärnet stängs av permanent.

BESKRIVNING

- A Sprayknapp
- B Ångblåsningsknapp
- C Ångflödeskontroll
- D Knapp för automatisk rengöring
- E Temperaturregulator
- F Kontrollampa
- G Påfyllningspip
- H Spraymunstycke
- I Sula

INSTRUKTIONER FÖR ANVÄNDNING

FÖRE ANVÄNDNING:

- Kontrollera att alla produktförpackningar har avlägsnats.
- Läs häftet "Säkerhetsanvisningar och varningar" noggrant före första användningen.
- Vissa delar av apparaten har smörjts in med lätt fett. När apparaten används för första gången kan det därför förekomma en lätt rökutveckling. Efter en kort stund försvinner denna rök.
- För att eliminera den lukt som apparaten avger när den används för första gången, rekommenderas att den är påslagen med full effekt i 10 minuter i ett välventilerat rum.
- Förbered apparaten för den funktion du vill använda:

FYLLS MED VATTEN:

- Det är nödvändigt att ha fyllt behållaren med vatten för att kunna arbeta med ånga.
- Öppna locket till vattenintaget.
- Fyll på behållaren - var noga med att kontrollera MAX-nivån (Fig.1).
- Stäng locket till vattenintaget.

ANVÄND:

- Dra ut nätkabeln helt innan du ansluter den.
- Anslut apparaten till elnätet.
- Vrid termostatreglaget till önskat temperaturläge.
- Använd inte högre temperaturer än de som anges på de plagg som ska behandlas.

- Temperatur för syntetfibrer (polyester, nylon).
- Temperatur för silke och ull.
- Temperatur för bomull.

Max Temperatur för linne.

- Om plagget innehåller olika typer av fibrer, välj temperatur för den fiber som kräver lägst temperatur. (Välj t.ex. temperaturen för polyester för en artikel som är tillverkad av 60% polyester och 40% bomull).
- Vänta tills kontrolllampan (F) har slocknat, vilket indikerar att apparaten har uppnått tillräcklig temperatur.
- När apparaten används tänds och släcks kontrolllampan (F) automatiskt, vilket indikerar att värmeelementen arbetar och därmed håller önskad temperatur.

TORRSTRYKNING:

- Apparaten har en ångflödesregulator som tillåter torr strykning (utan ånga) när den är placerad i minimiläget.

ÅNGSTRYKNING:

- Det är möjligt att stryka med ånga om behållaren är fylld med vatten och en lämplig temperatur har valts.

REGLERING AV ÅNGFLÖDE:

- Apparaten har en ångkontrollratt (C) som gör det möjligt att reglera ångflödet.

SPRAY:

- Sprayen kan användas för både ång- och torrstrykning.
- Tryck på sprayknappen (A) för att använda denna funktion.
- Sprayknappen måste tryckas in upprepade gånger för att den första sprayen ska avgas.

ÅNGBLÅSNING:

- Denna funktion ger extra ånga för att eliminera rynkor.
- Tryck på ångblåsningsknappen (B). Vänta några sekunder tills ångan tränger in i plaggets fibrer innan du trycker på knappen igen. För optimal ångkvalitet, använd inte mer än tre på varandra följande blåsningsar.
- Ångblåsningsknappen måste tryckas ned upprepade gånger för att frigöra det första skottet.

VERTIKAL ÅNGNING:

- Det är möjligt att stryka hängande gardiner, klädesplagg på sin galge etc. För att göra det, följ instruktionerna:
- Välj strykjärnets maxtemperatur genom att vrida strykjärnets temperaturregulator medurs (fig 2).
- Flytta strykjärnet i en riktning uppifrån och ned samtidigt som du trycker på ångblåsningsknappen (B). Viktigt: För bomull och linne rekommenderas att strykjärnets bas kommer i kontakt med materialet. För andra mer ömtåliga fibrer rekommenderas att strykjärnets bas hålls på några centimeters avstånd.

NÄR DU HAR SLUTAT ANVÄNDA APPARATEN:

- Välj minimiposition (MIN) med hjälp av termostatstyrningen.
- Koppla bort apparaten från elnätet.
- Låt svalna.
- Avlägsna vattnet från apparatens insida.
- Rengör apparaten.

SÅKERT TERMISKT SKYDD:

- Apparaten är försedd med en säkerhetsanordning som skyddar apparaten mot överhettning.

RENGÖRING

- Koppla bort apparaten från elnätet och låt den svalna innan du börjar rengöra den.
- Rengör utrustningen med en fuktig trasa med några droppar diskmedel och torka den sedan.
- Använd inte lösningsmedel eller produkter med surt eller basiskt pH-värde, t.ex. blekmedel, eller slipmedel för rengöring av apparaten.
- Sänk aldrig ner apparaten i vatten eller någon annan vätska och placera den inte under rinnande vatten.

SJÄLVRENGÖRANDE FUNKTION:

- Det är viktigt att rengöra apparaten minst en gång i månaden för att avlägsna kalk och andra mineraler som ansamlats i järnet.
- Fyll behållaren till maxnivå enligt anvisningarna i avsnittet "Fyllning med vatten".
- Placera strykjärnet i vertikalt läge, anslut det till elnätet och välj maxtemperatur.
- Låt apparaten värmas upp tills kontrolllampan indikerar att den har uppnått den inställda temperaturen.
- Dra ut kontakten och placera apparaten i diskhon.
- Tryck på knappen för självrengöring och håll den nedtryckt.
- Låt vattnet rinna ut genom ångventilerna i botten och skaka apparaten lätt.
- Släpp knappen efter en minut eller när tanken är tom.
- Låt strykjärnet stå i vertikalt läge tills det har svalnat.

HUR MAN HANTERAR KALKAVLAGRINGAR:

- För att apparaten ska fungera korrekt måste den hållas fri från kalk- eller magnesiumavlagringar som orsakats av hårt vatten.
- För att undvika denna typ av problem rekommenderar vi att du använder vatten med låg kalk- eller magnesium-mineralisering.

- Hemmagjorda lösningar rekommenderas inte vid avkalkning av denna apparat, t.ex. användning av vinäger.

SERVICE

- Vid felaktig användning eller underlåtenhet att följa bruksanvisningarna upphör garantin och tillverkarens ansvar att gälla.

AVVIKELSER OCH REPARATION

- Ta med apparaten till en auktoriserad teknisk supporttjänst om problem uppstår. Försök inte demontera eller reparera utan hjälp, eftersom det kan vara farligt.

GARANTI OCH TEKNISKT STÖD

- Denna produkt åtnjuter erkännande och skydd av den lagliga garantin i enlighet med gällande lagstiftning. För att upprätthålla dina rättigheter eller intressen måste du gå till någon av våra officiella tekniska assistanstjänster.
- Du kan hitta den närmaste genom att gå in på följande länk: <https://www.blackanddecker.eu/>
- Du kan också begära relaterad information genom att kontakta oss.
- Du kan ladda ner denna bruksanvisning och dess uppdateringar på <https://www.blackanddecker.eu/>.

FÖR PRODUKTVERSIONER INOM EU OCH/ELLER OM DET KRÄVS I DITT LAND PRODUKTENS EKOLOGI OCH ÅTERVINNINGSBARHET

- De material som förpackningen till denna apparat består av ingår i ett system för insamling, klassificering och återvinning. Om du vill göra dig av med dem ska du använda lämpliga offentliga behållare för varje typ av material.
- Produkten innehåller inga koncentrationer av ämnen som kan anses vara skadliga för miljön.



Denna symbol innebär att om du vill göra dig av med produkten när dess livslängd är slut, ska du lämna den till en auktoriserad avfallshanteringsfirma för selektiv insamling av avfall av elektrisk och elektronisk utrustning (WEEE).

- Den här apparaten uppfyller kraven i direktiv 2014/35/EU om lågspänning, direktiv 2014/30/EU om elektromagnetisk kompatibilitet, direktiv 2011/65/EU om begränsning av användningen av vissa farliga ämnen i elektriska och elektroniska produkter och direktiv 2009/125/EG om krav på ekodesign för energirelaterade produkter.

Information om ämnen som inger mycket stora betänkligheter (SVHC) enligt förordning 1907/2006/EG (REACH). Denna produkt innehåller följande SVHC-ämnen:

Bly (Pb), CAS-nummer: 7439-92-1
Kadmium (Cd), CAS-nummer: 7440-43-9
Dodecamethylcyclohexasiloxane (D6), CAS-nummer: 540-97-64
tert-butylfenol (PTBP), CAS-nummer: 98-54-4

Black & Decker® och BLACK+DECKER™ och Black & Decker® och BLACK+DECKER™ logotyperna är registrerade varumärken som tillhör The Black & Decker® Corporation och används under licens. Alla rättigheter förbehållna.

Importerad och distribuerad av ENGINEERING AND TECHNOLOGY FOR LIFE, SL Avda. Barcelona s/n Oliana, 25790, Spain

HÖYRYSILITYSRAUTA BXIR2606E, BXIR2805E

Hyvä asiakas,

Kiitokset siitä, että olet valinnut Black+Decker-merkkituotteen.

Teknologian, suunnittelun ja toiminnan ansiosta sekä sen ansiosta, että se ylittää tiukimmat laatuvaatimukset, voidaan taata täysin tyydyttävä käyttö ja pitkä käyttöikä.

TURVALLISUUSOHJEET JA VAROITUKSET

- Lue nämä ohjeet huolellisesti ennen laitteen käynnistämistä ja säilytä ne myöhempää käyttöä varten. Näiden ohjeiden noudattamatta jättäminen ja noudattamatta jättäminen voi johtaa onnettomuuteen.
- Tätä laitetta voivat käyttää vähintään 8-vuotiaat lapset ja henkilöt, joilla on heikentyneet fyysiset, sensoriset tai henkiset kyvyt tai joilla ei ole riittävästi kokemusta tai tietoa, jos heitä on valvottu tai opastettu laitteen turvallisessa käytössä ja jos he ymmärtävät siihen liittyvät vaarat. Lapset eivät saa leikkiä laitteella. Lapset eivät saa tehdä puhdistusta ja käyttäjän huoltoa ilman valvontaa.
- Pidä silitysrauta ja sen johto alle 8-vuotiaiden lasten ulottumattomissa, kun silitysrauta on päällä tai kun se jäähtyy.
- Silitysrautaa ei saa jättää ilman valvontaa, kun se on kytketty sähköverkkoon.
- Pistoke on irrotettava pistorasiasta ennen kuin vesisäiliö täytetään vedellä.

- Silitysrautaa on käytettävä ja se on asetettava tasaiselle, vakaalle alustalle.
- Kun asetat silitysraudan jalustalleen, varmista, että alusta, jolle jalusta asetetaan, on vakaa.
- Silitysrautaa ei saa käyttää, jos se on pudonnut, jos siinä on näkyviä merkkejä vaurioista tai jos se vuotaa.
- Jos syöttöjohto on vaurioitunut, valmistajan, sen huoltoedustajan tai vastaavan pätevän henkilön on vaihdettava se vaaran välttämiseksi.
- Tämä laite on tarkoitettu vain kotitalouskäyttöön, ei ammattimaiseen tai teolliseen käyttöön.



VAROITUS: Pinnat voivat kuumentua käytön aikana.

- Tämä laite saa kytkeä vain verkkoon, jonka järjestelmäimpedanssi on $Z_{sys} = 0,291\Omega$ tai vähemmän. Ennen kuin kytket tuotteen yleiseen sähköverkkoon, ota yhteyttä paikalliseen sähköverkkoviranomaiseen varmistaaksesi, että virtalähde täyttää edellä mainitun vaatimuksen.
- Varmista, että arvokilvessä ilmoitettu jännite vastaa verkkojännitettä ennen laitteen kytkemistä.
- Kytke laite pistorasiaan, jonka nimellisarvo on vähintään 16 ampeeria.
- Laitteen pistokkeen on sovittava kunnolla pistorasiaan. Älä muuta pistoketta. Älä käytä pistokesovittimia.
- Älä käytä laitetta, jos kaapeli tai pistoke on vaurioitunut.
- Jos laitteen kotelo rikkoutuu, irrota laite välittömästi sähköverkosta sähköiskun välttämiseksi.
- Älä vedä syöttöjohdosta. Älä koskaan käytä virtajohtoa laitteen nostamiseen, kantamiseen tai irrottamiseen.
- Älä kierrä virtajohtoa laitteen ympärille.
- Tarkista syöttöjohdon kunto. Vaurioituneet tai sotkeutuneet kaapelit lisäävät sähköiskun vaaraa.
- Älä anna liitäntäkaapelin roikkua vapaasti tai joutua kosketuksiin laitteen kuumien pintojen kanssa.
- Älä koske pistokkeeseen märin käsin.
- Älä käytä tai säilytä laitetta ulkona.

- Älä jätä laitetta ulos sateeseen tai alltiiksi kosteudelle. Jos laitteeseen pääsee vettä, se lisää sähköiskun vaaraa.
- Käyttökelpoisten pintojen lämpötila voi olla korkea, kun laite on käytössä.
- Älä koske mihinkään kuumennettuun osaan, sillä se voi aiheuttaa vakavia palovammoja.

KÄYTTÖ JA HOITO:

- Vedä laitteen virtajohto kokonaan ulos ennen jokaista käyttöä.
- Älä käytä laitetta, jos siihen kiinnitetyt lisävarusteet ovat viallisia. Vaihda ne välittömästi.
- Käytä laitteen kahvaa sen kiinnittämiseen tai siirtämiseen.
- Älä käytä laitetta, jos se on kaatunut, äläkä käännä sitä ympäri.
- Älä käännä laitetta ympäri, kun se on käytössä tai kytketynä verkkovirtaan.
- Jotta tarttumaton käsittely pysyy hyvässä kunnossa, älä käytä siinä metallisia tai teräviä astioita.
- Noudata MAX-tason ilmaisinta. (Kuva 1)
- Irrota laite sähköverkosta, kun sitä ei käytetä ja ennen puhdistustöitä.
- Säilytä tätä laitetta poissa lasten ja/tai sellaisten henkilöiden ulottuvilta, joilla on fyysinen, sensorinen tai alentunut henkinen tai joilla ei ole kokemusta ja tietoa.
- Älä säilytä tai kuljeta laitetta, jos se on vielä kuuma.
- Oikean toiminnan varmistamiseksi pidä pohja hyvässä kunnossa; älä käytä metalliesineitä (silitysraudan metalliosat, napit, vetokejut jne.)
- On suositeltavaa käyttää tislattua vettä, varsinkin jos alueesi vesi sisältää savea tai jos se on "kovaa" (sisältää kalkkia tai magnesiumia).
- Tarkista ennen laitteen käynnistämistä, että kansi on kunnolla kiinni.
- Älä koskaan jätä laitetta ilman valvontaa käytön aikana.
- Älä koskaan jätä laitetta kytkettynä ja ilman valvontaa, jos se ei ole käytössä. Tämä säästää energiaa ja pidentää laitteen käyttöikää.
- Älä koskaan aseta laitetta pinnalle käytön aikana.
- Älä käytä laitetta minkään henkilön tai eläimen ruumiinosaan.
- Älä käytä laitetta minkäänlaisten tekstiilien kuivaamiseen.
- Käännä termostaatin säädin minimiasentoon (MIN). Tämä ei tarkoita, että silitysrauta on pysyvästi pois päältä.

KUVAUS

- A Spray -painike
B Höyrypuhalluspainike

- C Höyryvirtauksen säätö
D Automaattinen puhdistuspainike
E Lämpötilan säädin
F Merkkivalo
G Täyttösuutin
H Suihkusuutin
I Pohja

KÄYTTÖOHJEET

ENNEN KÄYTTÖÄ:

- Varmista, että kaikkien tuotteiden pakkaukset on poistettu.
- Lue "Turvallisuusohjeet ja varoitukset" -vihkonen huolellisesti ennen ensimmäistä käyttöä.
- Jotkut laitteen osat on rasvattu kevyesti. Näin ollen, kun laitetta käytetään ensimmäisen kerran, se saattaa havaita kevyttä savua. Lyhyen ajan kuluttua tämä savu katoaa.
- Laitteen ensimmäisen käytön yhteydessä leviävän hajun poistamiseksi on suositeltavaa pitää sitä täydellä teholla 10 minuuttia hyvin ilmastoidussa huoneessa.
- Valmistele laite sen toiminnon mukaan, jota haluat käyttää:

TÄYTTÖ VEDELLÄ:

- On välttämätöntä, että kerros on täytetty vedellä, jotta voit työskennellä höyryllä.
- Avaa veden tuloaukon kansi.
- Täytä panti huolellisesti MAX-tason noudattamiseksi (kuva 1).
- Sulje veden tuloaukon kansi.

KÄYTTÄÄ:

- Pidennä virtajohto kokonaan ennen kuin liität sen pistorasiaan.
- Liitä laite verkkovirtaan.
- Käännä termostaatin säädin haluttuun lämpötila-asentoon.
- Älä käytä käsiteltävissä vaatteissa ilmoitettuja lämpötiloja korkeampia lämpötiloja.

- Synteettikuitujen (polyesteri, nylon) lämpötila.
- Silkin ja villan lämpötila.
- Puuvillan lämpötila.
- Max Lämpötila liinavaatteille .

- Jos vaatteet sisältävät erilaisia kuituja, valitse alhaisimman lämpötilan vaativan kuidun lämpötila. (Valitse esim-

eräksi polyesterin lämpötila tuotteelle, joka on valmistettu 60 % polyesterista ja 40 % puuvillasta).

- Odota, kunnes merkkivalo (F) on sammunut, mikä osoittaa, että laite on saavuttanut riittävän lämpötilan.
- Laitteen käytön aikana merkkivalo (F) syttyy ja sammuu automaattisesti osoittaen, että lämmityselementit toimivat ja ylläpitävät siten haluttua lämpötilaa.

KUIVA SILITYS:

- Laitteessa on höyryvirtauksen säädin, joka mahdollistaa kuivasilityksen (ilman höyryä), kun se on asetettu minimiasentoon.

HÖYRYSILITYS:

- Höyrysilitys on mahdollista aina, kun kerros on täytetty vedellä ja sopiva lämpötila on valittu.

HÖYRYVIRTAUKSEN OHJAUS:

- Laitteessa on höyrynsäätönappi (C) joka mahdollistaa höyryvirran hallinnan.

SPRAY:

- Suihketta voidaan käyttää sekä höyry- että kuivasilitykseen.
- Käytä tätä toimintoa painamalla ruiskupainiketta (A).
- Suihkutuspainiketta on painettava toistuvasti ensimmäisen suihkeen vapauttamiseksi.

HÖYRYPUHALLUS:

- Tämä toiminto tarjoaa ylimääräistä höyryä rypyjien poistamiseen.
- Paina höyrypuhalluspainiketta (B). Odota muutama sekunti, kunnes höyry tunkeutuu vaateen kuitujen läpi, ennen kuin painat painiketta uudelleen. Parhaan höyrynlaadun saavuttamiseksi käytä korkeintaan kolmea peräkkäistä puhallusta.
- Höyrypuhalluspainiketta on painettava toistuvasti ensimmäisen laukauksen vapauttamiseksi.

PYSTYSUORA HÖYRYTYS:

- On mahdollista silittää roikkuvat verhot, vaatekappalet ripustimessa jne. Noudata ohjeita:
- Valitse siilitysraudan maksimilämpötila kääntämällä siilitysraudan lämpötilansäädintä myötäpäivään (kuva 2).
- Liikuta rautaa ylhäältä alas -suunnassa samalla, kun painat höyrypuhalluspainiketta (B). Tärkeää: puuvillaa ja pellavaa varten on suositeltavaa asettaa rautapohja kosketuksiin materiaalin kanssa. Muille herkemille kuduille on suositeltavaa pitää rautapohja muutaman senttimetrin etäisyydellä.

KUN OLET LOPETTANUT LAITTEEN KÄYTÖN:

- Valitse minimiasento (MIN) termostaatin säätimellä.
- Irrota laite verkkovirrasta.
- Anna jäähtyä.
- Poista vesi laitteen sisältä.
- Puhdista laite.

TURVALLINEN LÄMPÖSUOJA:

- Laitteessa on turvalaite, joka suojaa laitetta ylikuumenemiselta.

PUHDISTUS

- Irrota laite verkkovirrasta ja anna sen jäähtyä ennen kuin ryhdyt puhdistamaan mitään.
- Puhdista laite kostealla liinalla, johon on lisätty muutama tippa astianpesuainetta, ja kuivaa se sitten.
- Älä käytä laitteen puhdistukseen liuottimia tai tuotteita, joiden pH on hapan tai emäs, kuten valkaisuainetta tai hankaavia tuotteita.
- Älä koskaan upota laitetta veteen tai muuhun nesteeseen tai aseta sitä juoksevan veden alle.

ITSEPUHDISTUSTOIMINTO:

- On tärkeää puhdistaa laite itse vähintään kerran kuukaudessa kalsiumin ja muiden siilitysraudan sisältämien mineraalien poistamiseksi.
- Täytä sakka enimmäistasoonsa kohdan "Täyttö vedellä" mukaisesti .
- Aseta siilitysrauta pystyasentoon, kytkä se verkkovirtaan ja valitse maksimilämpötila.
- Anna laitteen lämmetä, kunnes merkkivalo osoittaa, että se on saavuttanut sille asetetun lämpötilan.
- Irrota laite pistorasiasta ja aseta se pesualtaaseen.
- Paina itsepuhdistuspainiketta ja pidä se painettuna.
- Anna veden virtata ulos pohjassa olevien höyryaukkojen kautta samalla, kun ravistat laitetta kevyesti.
- Vapauta painike minuutin kuluttua tai kun säiliö tyhjenee.
- Jätä siilitysrauta pystyasentoon, kunnes se on jäähtynyt.

MITEN KÄSITTELY KALKKIKOLKIKERTOMUKSIA:

- Jotta laite toimisi oikein, se tulee pitää puhtaana kovan veden käytön aiheuttamista kalkki- tai magnesiumkerrostuksista.
- Tällaisten ongelmien estämiseksi suosittelemme käyttämään vettä, jossa on alhainen kalkki- tai magnesiummineralisaatio.
- Kotitekoisia liuoksia ei suositella tämän laitteen kalkinpoistoon, kuten etikan käyttöä.

PALVELU

- Väärinkäyttö tai käyttöohjeiden noudattamatta jättäminen mitätöi takuun ja valmistajan vastuun.

POIKKEAMAT JA KORJAUS

- Vie laite valtuutettuun tekniseen tukipalveluun, jos ongelmia ilmenee. Älä yritä purkaa tai korjata laitetta ilman apua, sillä se voi olla vaarallista.

TAKUU JA TEKNINEN APU

- Tämä tuote nauttii voimassa olevan lainsäädännön mukaisen lakisääteisen takuun tunnustusta ja suojaa. Jos haluat valvoa oikeuksiasi tai etujasi, sinun on käännyttävä minkä tahansa virallisen teknisen avun palvelumme puoleen.
- Löydät lähimmän löytöpaikan seuraavasta linkistä: <https://www.blackanddecker.eu/>.
- Voit myös pyytää lisätietoja ottamalla meihin yhteyttä.
- Voit ladata tämän käyttöohjeen ja sen päivitykset osoitteesta <https://www.blackanddecker.eu/>.

EU:N TUOTEVERSIoidEN OSALTA JA/TAI SIINÄ TAPAUKSESSA, ETTÄ SITÄ PYYDETÄÄN MAASSASI TUOTTEEN EKOLOGISUUS JA KIERRÄTETTÄVYYS

- Materiaalit, joista tämän laitteen pakkaus koostuu, kuuluvat keräys-, luokitus- ja kierrätysjärjestelmään. Jos haluat hävittää ne, käytä kullekin materiaalityypille sopivia julkisia säiliöitä.
- Tuote ei sisällä pitoisuuksia aineita, joita voitaisiin pitää ympäristölle haitallisina.



Tämä symboli tarkoittaa, että jos haluat hävittää tuotteen sen käyttöiän päätyttyä, vie se valtuutetulle sähkö- ja elektroniikkalaiteromun (WEEE) valikoivaan keräykseen.

- Tämä laite on pienjännitedirektiivin 2014/35/EU, sähkömagneettista yhteensopivuutta koskevan direktiivin 2014/30/EU, tiettyjen vaarallisten aineiden käytön rajoittamisesta sähkö- ja elektroniikkalaitteissa annetun direktiivin 2011/65/EU ja energiaan liittyvien tuotteiden ekologiselle suunnittelulle asetettavista vaatimuksista annetun direktiivin 2009/125/EY mukainen.

Tiedot erityistä huolta aiheuttavista aineista (SVHC) asetuksen 1907/2006/EY (REACH) mukaisesti. Tämä tuote sisältää seuraavia SVHC-aineita:

Lyijy (Pb), CAS-numero: 7439-92-1Kadmium (Cd), CAS-numero: 7440-43-9 Dodekametyyli sykloheksasiloksaani (D6), CAS-numero: 540-97-64-tert-butyyliifenoli (PTBP), CAS-numero: 98-54-4.

Black & Decker® ja BLACK+DECKER™ sekä Black & Decker®- ja BLACK+DECKER™-logot ovat The Black & Decker® Corporationin rekisteröityjä tavaramerkkejä, ja niitä käytetään lisenssillä. Kaikki oikeudet pidätetään. Tuojana ja jakelijana ENGINEERING AND TECHNOLOGY FOR LIFE, S.L. Avda. Barcelona s/n Oliana, 25790, Spain

BUHARLI ÜTÜ BXIR2606E, BXIR2805E

Sayın müşterimiz,

Black+Decker marka bir ürün satın almayı tercih ettiğiniz için çok teşekkürler.

Teknolojisi, tasarımı ve çalışması ve en katı kalite standartlarını aşması sayesinde tamamen tatmin edici bir kullanım ve uzun ürün ömrü sağlanabilir.

GÜVENLİK ÖNERİLERİ VE UYARILAR

- Cihazı çalıştırmadan önce bu talimatları dikkatlice okuyun ve ileride başvurmak üzere saklayın. Bu talimatlara uyulmaması ve bunlara uyulmaması bir kazaya neden olabilir.
- Bu cihaz, güvenliklerinden sorumlu bir kişi tarafından gözetim altında tutulmadıkları veya cihazla ilgili talimat vermediği sürece, fiziksel, duyuşsal veya zihinsel yetenekleri sınırlı olan veya deneyim ve bilgi eksikliği olan kişiler (çocuklar dahil) tarafından kullanılmak üzere tasarlanmamıştır.
- Çocuklar, cihazla oynamadıklarından emin olmak için gözetim altında tutulmalıdır.
- Ütüye enerji verildiğinde veya soğumaya bırakıldığında, ütüyü ve kablосunu 8 yaşından küçük çocukların erişemeyeceği bir yerde saklayın.
- Ütü, şebeke elektriğine bağlıyken gözetimsiz bırakılmamalıdır.
- Su haznesi suyla doldurulmadan önce fiş prizden çıkarılmalıdır.
- Ütü düz ve sabit bir yüzey üzerinde kullanılmalı ve dinlendirilmelidir.

- Ütüyü standına yerleştirirken, standın yerleştirildiği yüzeyin sabit olduğundan emin olun.
- Ütü düşürülmüşse, gözle görülür hasar belirtileri varsa veya sızdırıyorsa kullanılmamalıdır.
- Besleme kablosu hasar görürse, bir tehlikeyi önlemek için üretici, servis acentesi veya benzeri bir kalifiye kişi tarafından değiştirilmelidir.
- Bu cihaz sadece ev kullanımı içindir, profesyonel veya endüstriyel kullanım için değildir.



DİKKAT: Yüzeyler kullanım sırasında ısınabilir.

- Bu cihaz yalnızca Zsyz = 0,291Ω veya daha düşük sistem empedansına sahip bir kaynağa bağlanmalıdır. Ürünü genel güç kaynağına bağlamadan önce, güç kaynağının yukarıdaki gereksinimi karşıladığından emin olmak için lütfen yerel güç kaynağı yetkilinizle iletişime geçin.
- Cihazın fişini prize takmadan önce, etiket üzerinde belirtilen voltajın şebeke voltajına uygun olduğundan emin olun.
- Cihazı en az 16 amperlik bir elektrik prizine bağlayın.
- Cihazın fiş elektrik prizine düzgün bir şekilde oturmalıdır. Fiş üzerinde değişiklik yapmayın. Fiş adaptörleri kullanmayın.
- Kablo veya fiş hasarlıysa cihazı kullanmayın.
- Cihaz muhafazalarından herhangi biri kırılırsa, elektrik çarpması olasılığını önlemek için cihazın elektrik bağlantısını derhal kesin.
- Besleme kablosunu çekmeyin. Güç kablosunu asla cihazı kaldırmak, taşımak veya fişini çekmek için kullanmayın.
- Güç kablosunu cihazın etrafına sarmayın.
- Besleme kablosunun durumunu kontrol edin. Hasarlı veya dolaşmış kablolar elektrik çarpması riskini artırır.
- Bağlantı kablosunun serbestçe sarkmasına veya cihazın sıcak yüzeyleriyle temas etmesine izin vermeyin.
- Fişe ıslak elle dokunmayın.
- Cihazı açık havada kullanmayın veya saklamayın.
- Cihazı yağmur altında veya neme maruz bırakmayın. Cihazın içine su girerse, bu elektrik çarpması riskini artıracaktır.

- Cihaz kullanımdayken erişilebilir yüzeylerin sıcaklığı yüksek olabilir.
- Ciddi yanıklara neden olabileceğinden, ısıtılmış herhangi bir parçaya dokunmayın.

KULLANIM VE BAKIM

- Her kullanımdan önce cihazın besleme kablosunu tamamen uzatın.
- Takılı aksesuarları arızalıysa cihazı kullanmayın. Hemen değiştirin.
- Cihazı kaldırırken veya taşıırken kolu kullanın.
- Cihazı devrik halde kullanmayınız ve ters çevirmeyiniz.
- Cihazı kullanımdayken veya elektrikle bağlıyken ters çevirmeyin.
- Yapışmaz işlemi iyi durumda tutmak için üzerinde metal veya sivri uçlu aletler kullanmayın.
- MAX seviye göstergesine uyun. (Şek. 1).
- Kullanılmadığında ve herhangi bir temizlik işlemine başlamadan önce cihazın fişini prizden çekin.
- Bu cihazı çocukların ve/veya fiziksel, duyuşsal veya zihinsel engelli ya da deneyim ve bilgi eksikliği olan kişilerin erişemeyeceği bir yerde saklayın.
- Cihazı hala sıcakken saklamayın veya taşımayın.
- Doğru çalışması için taban plakasını uygun durumda tutun; metal nesnelere (ütü masası metal parçaları, düğmeler, fermuarlar vb.)
- Özellikle bölgenizdeki su kil içeriyorsa veya "sert" ise (kireç veya magnezyum içerir) damıtılmış su kullanılması tavsiye edilir.
- Cihazı çalıştırmadan önce doldurma musluğu kapağının düzgün şekilde kapatıldığını kontrol edin.
- Kullanım sırasında cihazı asla gözetimsiz bırakmayın.
- Kullanılmıyorsa, cihazı asla bağlı ve gözetimsiz bırakmayın. Bu enerji tasarrufu sağlar ve cihazın ömrünü uzatır.
- Kullanım sırasında cihazı asla bir yüzey üzerine koymayın.
- Cihazı insan veya hayvan vücudunun herhangi bir yerinde kullanmayın.
- Cihazı hiçbir tür tekstili kurutmak için kullanmayın.
- Termostat kontrolünü minimum (MIN) ayarına getirmek, ütünün kalıcı olarak kapalı olduğu anlamına gelmez.

AÇIKLAMA

- | | |
|---|-------------------------|
| A | Püskürtme düğmesi |
| B | Buhar püskürtme düğmesi |
| C | Buhar akış kontrolü |

- | | |
|---|----------------------------|
| D | otomatik temizleme düğmesi |
| E | Sıcaklık regülatörü |
| F | Pilot ışık |
| G | Doldurma musluğu |
| H | Sprey ağızlığı |
| I | Taban |

KULLANIM İÇİN TALIMATLAR

KULLANMADAN ÖNCE

- Tüm ürün ambalajlarının çıkarıldığından emin olun.
- Lütfen ilk kullanımdan önce «Güvenlik tavsiyeleri ve uyarılar» bölümünü dikkatlice okuyun.
- Cihazın bazı parçaları hafifçe yağlanmıştır. Sonuç olarak, cihaz ilk kez kullanıldığında hafif bir duman algılanabilir. Kısa bir süre sonra bu duman kaybolacaktır.
- İlk kullanımda cihazın yaydığı kokunun giderilmesi için iyi havalandırılan bir odada 10 dakika tam güçte çalıştırılması tavsiye edilir.
- Cihazı kullanmak istediğiniz fonksiyona göre hazırlayın:

SU İLE DOLDURMA

- Buharla çalışabilmek için su haznesini suyla doldurmuş olmak şarttır.
- Su haznesi suyla doldurulmadan önce fiş prizden çekilmelidir.
- Doldurma musluğu kapağını açın.
- MAX seviyesini gözlemlemeye özen göstererek su haznesini doldurun. (Şek. 1).
- Doldurma musluğu kapağını kapatın.

KULLANMAK

- Fiş prize takmadan önce besleme kablosunu tamamen uzatın.
- Cihazı şebekeye bağlayın.
- Sıcaklık regülatörünü (E) istenen sıcaklık konumuna çevirin.
- Tedavi edilecek giysiler üzerinde belirtilenden daha yüksek sıcaklıklar kullanmayın.

- Sentetik lifler (polyester, naylon) için sıcaklık.
- İpek, yün için sıcaklık.
- Pamuk için sıcaklık.
- Keten için sıcaklık.

- Giysinin çeşitli elyaf türleri varsa, elyaf için en düşük sıcaklığı gerektiren sıcaklığı seçin. (Örneğin, %60 polyester ve %40 pamuktan yapılmış bir ürün için polyester sıcaklığını seçin).

- Cihazın yeterli sıcaklığa ulaştığını gösterecek olan pilot ışık (F) sönene kadar bekleyin.
- Cihazın kullanımı sırasında, ısıtma elemanlarının çalıştığını ve dolayısıyla istenen sıcaklığı koruduğunu gösteren pilot ışık (F) otomatik olarak yanıp sönecektir.

KURU ÜTÜLEME

- Cihaz, minimum konuma getirildiğinde kuru ütümeye (buharsız) izin veren bir buhar akış kontrolüne (C) sahiptir.

BUHARLI ÜTÜ

- Su haznesi suyla dolduğunda ve yeterli sıcaklık seçildiğinde buharla ütü yapmak mümkündür.

BUHAR AKIŞ KONTROLÜ

- Cihaz, buhar akışının kontrol edilmesini sağlayan bir buhar akış kontrolüne (C) sahiptir.

SPREY

- Sprey hem buharlı hem de kuru ütümeye kullanılabilir.
- Bu işlemi kullanmak için püskürtme düğmesine (A) basın.
- İlk spreyi serbest bırakmak için sprey düğmesine art arda basılmalıdır.

BUHAR PATLAMASI

- Bu işlev, kırışıklıkları gidermek için ekstra buhar sağlar.
- Buhar püskürtme düğmesine (B) basın. Düğmeye tekrar basmadan önce buhar giysinin liflerine nüfuz edene kadar birkaç saniye bekleyin. Optimum buhar kalitesi için art arda üçten fazla püskürtme uygulamayın.
- İlk atışı serbest bırakmak için buhar püskürtme düğmesine art arda basılmalıdır.

DIKEY BUHARLAMA

- Askıya asılan perdeleri, giysi parçalarını vb. ütümek mümkündür. Bunu yapmak için talimatları izleyin:
 - Ütünün sıcaklık regülatörünü saat yönünde çevirirken ütünün maksimum sıcaklığını seçin. (İncir. 2).
 - Buhar püskürtme düğmesine basarken ütüü yukarıdan aşağıya doğru hareket ettirin. (B).

- Önemli: Pamuk ve keten için, demir tabanın malzeme ile temas ettirilmesi tavsiye edilir. Diğer daha hassas lifler için, demir tabanı birkaç santimetre uzakta tutmanız önerilir.

CIHAZI KULLANMAYI BITIRDİKTEN SONRA

- Termostat kontrolünü kullanarak minimum konumu (MIN) seçin.
- Cihazın fişini prizden çekin.
- Soğumaya bırakın.

- Cihazın içindeki suyu çıkarın.
- Cihazı temizleyin.

GÜVENLİK TERMAL KORUYUCUSU

- Cihaz, cihazı aşırı ısınmaya karşı koruyan bir güvenlik cihazına sahiptir.

TEMİZLİK

- Herhangi bir temizlik işlemine başlamadan önce cihazın fişini prizden çekin ve soğumasını bekleyin.
- Ekipmanı nemli bir bezle birkaç damla bulaşık deterjanı ile temizleyin ve ardından kurulayın.
- Cihazı temizlemek için ağartıcı veya aşındırıcı ürünler gibi asit veya baz pH değerine sahip solventler veya ürünler kullanmayın.
- Cihazı kesinlikle suya veya başka bir sıvıya batırmayın veya akan suyun altına koymayın.

KENDİ KENDİNİ TEMİZLEME İŞLEVI

- Ütünün içindeki kalsiyum ve diğer birikmiş mineralleri gidermek için cihazın en az ayda bir kez kendi kendini temizlemesi önemlidir.
- Su haznesini «Su doldurma» bölümünde belirtildiği gibi maksimum seviyeye kadar doldurun.
- Ütüyü dikey konuma getirin, fişi prize takın ve maksimum sıcaklığı seçin.
- Pilot ışık, belirtilen sıcaklığa ulaştığını gösterene kadar cihazı ısınmaya bırakın.
- Cihazın fişini çekin ve lavaboya yerleştirin.
- Otomatik temizleme düğmesine (D) basın ve basılı tutun.
- Cihazı hafifçe sallayarak suyun tabandaki buhar deliklerinden dışarı akmasına izin verin.
- Bir dakika sonra veya depo boşaldığında düğmeyi bırakın.
- Ütüyü soğuyana kadar dikey konumda bırakın.

KİREÇ KABUKLANMALARIYLA NASIL BAŞA ÇIKILIR

- Cihazın düzgün çalışması için, sert su kullanımının neden olduğu kireç veya magnezyum kabuklarından arındırılması gerekir.
- Bu tür sorunları önlemek için, düşük kireçli veya magnezyum mineralli suların kullanılmasını tavsiye ederiz.
- Bu cihazın kirecini temizlemek için sirke kullanımı gibi ev yapımı çözümler önerilmez.

HİZMET

- Herhangi bir yanlış kullanım veya kullanım talimatlarına uyulmaması, garantiyi ve üreticinin sorumluluğunu geçersiz ve geçersiz hale getirmektedir.

ANOMALİLER VE ONARIM

- Sorun çıkması durumunda cihazı yetkili teknik servise götürün. Yardım almadan sökmeye veya onarmaya çalışmayın, çünkü bu tehlikeli olabilir.

GARANTİ VE TEKNİK YARDIM

- Bu ürün, yürürlükteki mevzuata göre yasal garantinin tanınmasına ve korunmasına sahiptir. Haklarınızı veya çıkarlarınızı uygulamak için resmi teknik yardım hizmetlerimizden herhangi birine gitmelisiniz.
- Aşağıdaki web bağlantısına erişerek size en yakın olanı bulabilirsiniz: <https://www.blackanddecker.eu/>
- Ayrıca bizimle iletişime geçerek ilgili bilgileri talep edebilirsiniz.
- Bu kullanım kılavuzunu ve güncellemelerini <https://www.blackanddecker.eu/> adresinden indirebilirsiniz.

AB ÜRÜN SÜRÜMLERİ VE/VEYA ÜLKENİZDE TALEP EDİLMESİ DURUMUNDA ÜRÜNÜN EKOLOJİSİ VE GERİ DÖNÜŞTÜRÜLEBİLİRLİĞİ

- Bu cihazın ambalajının içerdiği malzemeler bir toplama, sınıflandırma ve geri dönüşüm sistemine dahildir. Bunları bertaraf etmek isterseniz, her bir malzeme türü için uygun kamu konteynerlerini kullanın.
- Ürün, çevreye zararlı olduğu düşünülebilecek konsantrasyonlarda madde içermez.



Bu sembol, ürünü çalışma ömrü sona erdikten sonra elden çıkarmak isterseniz, atık elektrikli ve elektronik ekipmanların (WEEE) seçici olarak toplanması için yetkili bir atık maddesine götürmeniz anlamına gelir.

- Bu cihaz, 2014/35/EU Alçak Gerilim Direktifi, Elektromanyetik Uyumluluk Direktifi 2014/30/EU, elektrikli ve elektronik cihazlarda belirli tehlikeli maddelerin kullanımının kısıtlamaları hakkında 2011/65/EU Direktifi ve enerji ile ilgili ürünler için ekotasarım gereksinimleri hakkında 2009/125/EC Direktifi ile uyumludur.

1907/2006/EC (REACH) Yönetmeliğine göre çok yüksek önem arz eden maddelere (SVHC) ilişkin bilgiler. Bu ürün aşağıdaki SVHC maddelerini içerir:

Kurşun (Pb), CAS Numarası: 7439-92-1Kadmium (Cd), CAS Numarası: 7440-43-9 Dodecamethylcyclohexanone (D6), CAS Numarası: 540-97-64-tert-butylphenol (PTBP), CAS Numarası: 98-54-4

Black & Decker® ve BLACK+DECKER™ ile Black & Decker® ve BLACK+DECKER™ logoları, The Black & Decker® Corporation'ın tescilli ticari markalarıdır ve lisans altında

kullanılmaktadır. Tüm hakları saklıdır.
ENGINEERING AND TECHNOLOGY FOR LIFE, SL
tarafından ithal edilmiş ve dağıtılmıştır. Avda. Barcelona s/n
Oliana, 25790, Spain

• מכשיר זה תואם להנחיה EU/2014/35 בנושא מתח נמוך, הנחיה EU/2014/30 בנושא האימות אלקטרומגנטית, הנחיה EU/2011/65 בנושא הגבלות השימוש בחומרים מסוכנים מסוימים בצידוד חשמלי ואלקטרוני והנחיה EC/2009/125 בנושא דרישות העיצוב האקולוגי למוצרים הקשורים לאנרגיה. מידע לגבי חומרים מדאיגים מאוד (SVHC) לפי תקנה EC (REACH/1907/2006). מוצר זה מכיל את החומרים הבאים:SVHC

עופרת (Pb), מספר (Cd) Cadmium (CAS: 7439-92-1),
מספר Dodecamethylcyclohexasilox- (CAS: 7440-43-9)
ane (D6), מספר tert-butylphenol- (CAS: 540-97-64)
(PTBP), מספר 98-54-4

Black & Decker *BLACK+DECKER™ והלוגו של
Black & Decker *BLACK+DECKER™ הם סימנים
מסחריים רשומים של The Black & Decker * Corporation
ונמצאים בשימוש תחת רישיון. כל הזכויות שמורות.
מיובא ומופץ על ידי -ENGINEERING AND TECHNOLOGY FOR LIFE, SL Avda. Barcelona s/n Oliana,
25790, Spain

- לחץ על לחצן פיצוץ הקיטור (B). המתן מספר שניות עד שאדים יחדרו לסיבי הבגד לפני שתלחץ שוב על הכפתור. לאיכות קיטור מטיבית, אין להפעיל יותר משלוש תקיעות רצופות.
- יש ללחוץ שוב ושוב על לחצן פיצוץ הקיטור כדי לשחרר את הוריקה הראשונה.

אידיו אנכי

- אפשר לגהץ וילונות תלויים, פריטי לבוש על הקולב שלו וכו'. לשם כך, בצע את ההוראות:
- בחר את הטמפרטורה המקסימלית של המגהץ תוך כדי סיבוב וסת הטמפרטורה של המגהץ בכיוון השעון. (איור 2).
- היזו את המגהץ בכיוון מלמעלה למטה תוך כדי לחיצה על לחצן התפוצצות הקיטור (a).
- חשוב: עבור כותנה ופשתן, מומלץ לשים את בסיס הברזל במגע עם החומה עבור סיבים עדינים אחרים, מומלץ לשמור על בסיס הברזל במרחק של כמה סנטימטרים.
- לאחר שתסיים להשתמש במכשיר
- בחר את המיקום המינימלי (MIN) באמצעות בקרת התרמוסטט.
- נתק את המכשיר מהחשמל.
- מניחים להתקרר.
- הסר את המים מבפנים המכשיר.
- נקה את המכשיר.

מגן תרמי בטיחות

- למכשיר יש התקן בטיחות המגן על המכשיר מפני התחממות יתר.

ניקוי

- נתק את המכשיר מהחשמל ואפשר לו להתקרר לפני ביצוע כל משימת ניקוי.
- נקו את הציוד עם מטלית לחה עם כמה טיפות של נוזל כביסה ולאחר מכן יבש אותו.
- אין להשתמש במימיסים או במוצרים בעלי חומצה או pH בסיסי, כגון אקונומיקה, או מוצרים שוחקים, לניקוי המכשיר.
- לעולם אל תטבול את המכשיר במים או בכל נוזל אחר ואל תניח אותו מתחת למים זורמים.

פונקציית ניקוי עצמי

- חשוב לנקות את המכשיר בעצמו לפחות פעם בחודש כדי להסיר סידון וכל מינרל מצטבר אחר בתוך המגהץ.
- מלא את מאגר המים עד לרמתו המרבית, כפי שמצוין בסעיף "מילוי מים"
- הנח את המגהץ במצב אנכי, חבר אותו לחשמל ובחר את הטמפרטורה המקסימלית.
- השאר את המכשיר להתחמם עד שנורית הפיילוט מציינת שהוא הגיע לטמפרטורה שנקבעה לו.
- נתק את המכשיר מהחשמל והנח אותו בכיור.

- לחץ על לחצן הניקוי האוטומטי (D), והשאר אותו לחוץ.
- הניחו למים לזרום החוצה דרך פתחי הקיטור בבסיס תוך ניעור קל של המכשיר.
- שחרר את הכפתור לאחר דקה או כאשר המיכל מתרוקן.
- השאר את המגהץ במצב אנכי עד שיתקרר.

איך מתמודדים עם הצטברויות אבנית

- כדי שהמכשיר יפעל כהלכה, יש לשמור אותו נקי מאבנית או כתמי מגנזיום שנגרמו משימוש במים קשים.
- כדי למנוע בעיה מסוג זה, אנו ממליצים להשתמש במים עם מינרליזציה נמוכה של סיד או מגנזיום.
- פתרונות תוצרת בית אינם מומלצים להסרת אבנית במכשיר זה, כגון שימוש בחומץ.

שרות

- כל שימוש לרעה או אי ציות להוראות השימוש הופך את האחריות ואת אחריות היצרן לבטלה ומבוטלת.

חריגות ותיקון

- קח את המכשיר לשרות תמיכה טכנית מורשה אם מתעוררות בעיות. אל תנסה לפרק או לתקן ללא סיוע, שכן זה עלול להיות מסוכן.

אחריות וסיוע טכני

- מוצר זה נהנה מהכרה והגנה של הערבות המשפטית בהתאם לחקיקה הנוכחית. כדי לאכוף את הזכויות או האינטרסים שלך, עליך ללכת לכל אחד משירותי הסיוע הטכני הרשמיים שלנו.
- אתה יכול למצוא את הקרוב ביותר על ידי גישה לקישור האינטרנט הבא: <https://www.blackanddecker.eu>
- אתה יכול גם לבקש מידע קשור על ידי יצירת קשה.
- אתה יכול להוריד מדריך הוראות זה ואת העדכונים שלו בכתובת <https://www.blackanddecker.eu>
- עבור גרסאות מוצר של האיחוד האירופי ו/או במקרה שהוא מתבקש במדינתך
- אקולוגיה ומיחזור של המוצר
- החומרים מהם מורכבת האריזה של מכשיר זה כוללים במערכת איסוף, סיווג ומחזור אם ברצונך להיפטר מהם, השתמש במיכלים הציבוריים המתאימים לכל סוג של חומר.
- המוצר אינו מכיל ריכוזים של חומרים העלולים להיחשב כמזיקים לסביבה.
- סמל זה אומר שבמקרה שתרצה להשליך את המוצר לאחר שחיי העבודה שלו הסתיימו, קח אותו לסוכן פסולת מורשה לאיסוף סלקטיבי של פסולת ציוד חשמלי ואלקטרוני (WEEE).



- מילוי מים
- חיזוי למלא את מאגר המים במים כדי להיות מסוגל לעבוד עם קיטור.
- יש להוציא את התקע מהשקע לפני מילוי מאגר המים במים.
- פתח את מכסה פיית המילוי.
- מלאו את מאגר המים תוך הקפדה על רמת ה-MAX. (איור 1).
- סגור את מכסה פיית המילוי.

להשתמש

- הארך את כבל החשמל לחלוטין לפני חיבורו.
- חבר את המכשיר לרשת החשמל.
- טובב את וסת הטמפרטורה (E) למצב הטמפרטורה הרצוי.
- אין להשתמש בטמפרטורות גבוהות מאלה המצוינות על הבגדים שיש לטפל בהם.
- • טמפרטורה לסיבים סינתטיים (פוליאסטר, ניילון).
- •• טמפרטורה עבור משי, צמר.
- ••• טמפרטורה עבור כותנה.
- מקסימום טמפרטורה לפשתן.
- אם לבגד יש סוגים שונים של סיבים, בחר את הטמפרטורה עבור הסיב הדורש את הטמפרטורה הנמוכה ביותר (לדוגמה, בחר את הטמפרטורה לפוליאסטר עבור פריט העשוי מ-60% פוליאסטר ו-40% כותנה).

- המתן עד שנורית הפיילוט (F) חכבה, מה שיציין שהמכשיר הגיע לטמפרטורה נאותה.
- במהלך השימוש במכשיר, נורית הפיילוט (F) תידלק ויכבה אוטומטית, מה שמציין שגופי החימום פועלים ולכן שומרים על הטמפרטורה הרצויה.

גיהוץ יבש

- למכשיר יש בקרת זרימת אדים (C) המאפשרת גיהוץ יבש (ללא קיטור) כאשר הוא ממוקם במצב המינימלי.

גיהוץ בקיטור

- ניתן לגהץ בקיטור בכל פעם שמאגר המים מתמלא במים ונבחר טמפרטורה נאותה.

בקרת זרימת קיטור

- למכשיר יש בקרת זרימת קיטור (C) המאפשרת שליטה על זרימת הקיטור.
- תְּרִיסִיס
- ניתן להשתמש בתריסס גם בגיהוץ בקיטור וגם בגיהוץ יבש.
- לחץ על לחצן הריסוס (A) כדי להשתמש בפעולה זו.
- יש ללחוץ שוב ושוב על לחצן הריסוס כדי לשחרר את הריסוס הראשון.

פיצוץ קיטור

- פונקציה זו מספקת קיטור נוסף להעלמת קמטים.

- כדי לשמור על טיפול הנון-סטיק במצב טוב, אין להשתמש עליו בכלי מתכת או מחודדים.
- כבד את מחוון רמת ה-MAX. (איור 1).
- נתק את המכשיר מהחשמל כאשר אינו בשימוש ולפני ביצוע משימת ניקוי כלשהי.
- אחסן מכשיר זה הרחק מהישג ידם של ילדים ו/או אנשים עם חוסר ניסיון וידע פיזיים, תחושתיים או נפשיים מופחתים.
- אין לאחסן או להעביר את המכשיר אם הוא עדיין חם.
- לפעולה נכונה, שמור את הסוליה במצב תקין; אין לפעול מעל חפצי מתכת (חלקי מתכת של קרש גיהוץ, כפתורים, רוכסנים וכו')
- רצוי להשתמש במים מזוקקים, במיוחד אם המים באזור שלך מכילים חימר או אם הם "קשים" (המכילים סיד או מגנזיום).
- בדוק שמכסה פיית המילוי סגור היטב לפני הפעלת המכשיר.
- לעולם אל תשאיר את המכשיר ללא השגחה בזמן השימוש.
- לעולם אל תשאיר את המכשיר מחובר וללא השגחה אם הוא אינו בשימוש. זה חוסך באנרגיה ומאריך את חיי המכשיר.
- לעולם אל תניח את המכשיר על משטח בזמן השימוש.
- אין להשתמש במכשיר על אף חלק בגוף של אדם או חיה.
- אין להשתמש במכשיר ליבוש טקסטיל מכל סוג שהוא.
- העברת בקרת התרמוסטט להגדרת המינימום (MIN) אינה אומרת שהמגהץ כבוי לצמיתות.

תיאור

- A כפתור ריסוס
- B כפתור פיצוץ קיטור
- C בקרת זרימת קיטור
- D כפתור ניקוי אוטומטי
- E וסת טמפרטורה
- F אור טייס
- G פיית מילוי
- H פיית ריסוס
- I סולית משטח

הוראות לשימוש

לפני השימוש

- ודא שכל אריזות המוצר הוסרו.
- אנא קרא את הסעיף "עצות ואזהרות בטיחות" בעיון לפני השימוש הראשון.
- חלקים מסוימים של המכשיר שומנים קלות. כתוצאה מכך, בפעם הראשונה בשימוש במכשיר, עשוי להבחין עשן קל. לאחר זמן קצר, העשן הזה ייעלם.
- כדי להעלים את הריח שמפיץ המכשיר בשימוש בפעם הראשונה, מומלץ להדליק אותו בעוצמה מלאה למשך 10 דקות בחדר מאוורר היטב.
- הכן את המכשיר בהתאם לפונקציה שבה ברצונך להשתמש:

מגהץ אדים

BXIR2606E, BXIR2805E

לקוח יקה,

תודה רבה על הבחירה ברכישת מוצר של המותג Black+Decker. הודות לטכנולוגיה, העיצוב והתפעול שלה והעובדה שהיא עולה על תקני האיכות המחמירים ביותר, ניתן להבטיח שימוש משיביע רצון לחלוטין והיי מוצר ארוכים.

- אם כבל האספקה פגום, יש להחליף אותו על ידי היצרן, סוכן השירות שלו או אדם מוסמך דומה כדי למנוע סכנה.
- מכשיר זה מיועד לשימוש ביתי בלבד, לא לשימוש מקצועי ותעשייתי.

זהירות: משטחים עלולים להתחמם במהלך השימוש.



עצות ואזהרות בטיחות

- מכשיר זה יחובר רק לאספקת חשמל עם עכבת מערכת של $Z_{sys} = 0.291 \Omega$ או פחות. לפני חיבור המוצר לאספקת החשמל הציבורית, אנא פנה לרשות אספקת החשמל המקומית שלך כדי לוודא ששפק הכוח עומד בדרישה לעיל.
 - ודא שהמתח המצוין בתווית הדירוג תואם למתח החשמל לפני חיבור המכשיר.
 - חבר את המכשיר לשקע חשמל בעל עוצמה של 16 אמפר לפחות.
 - התקע של המכשיר חייב להתאים לשקע החשמל כראוי. אל תשנה את התקע. אין להשתמש במתאמי תקע.
 - אל תשתמש במכשיר אם הכבל או התקע פגומים.
 - אם מתח המכשיר נשבר, נתק מיד את המכשיר מהחשמל כדי למנוע אפשרות של התחשמלות.
 - אל תמשוך בכבל החשמל. לעולם אין להשתמש בכבל החשמל כדי להרים, לשאת או לנתק את המכשיר.
 - אין לעטוף את כבל החשמל סביב המכשיר.
 - בדוק את מצב כבל החשמל. כבלים פגומים או סכוכים מגבירים את הסיכון להתחשמלות.
 - אל תאפשר לכבל החיבור לתלות בחופשיות או לכבד במגע עם המשטחים החמים של המכשיר.
 - אין לגעת בתקע בידיים רטובות.
 - אין להשתמש או לאחסן את המכשיר בחוץ.
 - אין להשאיר את המכשיר בחוץ בנשם או חשוף ללחות. אם מים נכנסים למכשיר, זה יגדיל את הסיכון להתחשמלות.
 - הטמפרטורה של המשטחים הנגישים עשויה להיות גבוהה כאשר המכשיר נמצא בשימוש.
 - אל תיגע בחלק מחומם, מכיוון שהדבר עלול לגרום לכוויות חמורות.
- שימוש וטיפול**
- הארך את כבל החשמל של המכשיר במלואו לפני כל שימוש.
 - אל תשתמש במכשיר אם האביזרים המחוברים אליו פגומים. החלף אותם מיד.
 - השתמש בידיית בעת הרמה או הזזה של המכשיר.
 - אל תשתמש במכשיר אם הוא מוטה, ואל תהפוך אותו.
 - אל תהפוך את המכשיר בזמן שהוא בשימוש או מחובר לרשת החשמל.
- אנא קרא הוראות אלה בעיון לפני הפעלת המכשיר ושמור אותן לעיון עתידי.
 - אי ציות להוראות אלה והקפדה עליהן עלול להוביל לתאונה.
 - מכשיר זה אינו מיועד לשימוש על ידי אנשים (כולל ילדים) עם יכולות פיזיות, חושיות או נפשיות מופחתות או חוסר ניסיון וידע, אלא אם כן הם קיבלו פיקוח או הדרכה בנוגע למכשיר על ידי אדם האחראי לבטיחותם.
 - ילדים צריכים להיות תחת השגחה כדי לוודא שהם לא משחקים עם המכשיר.
 - שמור את המגהץ ואת הכבל שלו הרחק מהישג ידם של ילדים מתחת לגיל 8 כאשר הוא מופעל או מתקרה.
 - אסור להשאיר את המגהץ ללא השגחה בזמן שהוא מחובר לרשת החשמל.
 - יש להוציא את התקע מהשקע לפני מילוי מאגר המים במים.
 - יש להשתמש במגהץ ולהניח אותו על משטח ישר ויציב.
 - בעת הנחת המגהץ על המעמד שלו, ודא שהמשטח עליו מונח המעמד יציב.
 - אין להשתמש במגהץ אם הוא נפל, אם יש סימני נזק גלויים או אם הוא דולף.

België/Belgique/ Luxembourg	Stanley Black & Decker Belgium BVBA Egide Walschaertsstraat 16 2800 Mechelen	www.blackanddecker.be enduser.BE@SBDinc.com Tel - NL. +32 15 47 37 65 Tel - FR. +32 15 47 37 66 Fax. +32 15 47 37 99
Bulgaria	Stanley Black&Decker Polska Bucharest Branch Phoenicia Business Center Turtulelor Street, No 11A, 6th Floor,Module 15, 3rd District. Bucharest (Romania)	office.bucharest@sbdinc.com Tel. +4021.320.61.04.
Česká Republika	Stanley Black & Decker Czech Republic s.r.o. Chodov Tůrkova 2319/5b 149 00 Praha 4 Česká Republika	www.blackanddecker.cz recepce@blackanddecker.cz Tel: 261 009 782
Danmark	Black & Decker Roskildevej 22 2620 Albertslund	www.blackanddecker.dk kundeservice.dk@sbdinc.com Tel. 70 20 15 10 Fax. 70 22 49 10
Deutschland	Stanley Black & Decker Deutschland GmbH Black & Decker Str. 40, D - 65510 Idstein	www.blackanddecker.de infobfge@sbdinc.com Tel. 06126 21-0 Fax 06126 21-2980
Ελλάδα	Black & Decker ΕΛΛΑΣ ΕΔΡΑ-ΓΡΑΦΕΙΑ : Στράβωνος 7 & Λ. Βουλιαγμένης, 166 74 Γλυφάδα - Αθήνα SERVICE : Ημερος Τόπος 2 (Χάνι Αδάμ) - 193 00 Ασπρόπυργος	www.blackanddecker.gr Greece.Service@sbdinc.com Τηλ: 210-8981616 Φαξ: 210-8983570 Τηλ Service: 210-8985208 Φαξ: 210-5597598
España	Engineering and Technology for Life Spain Avenida Barcelona s/n 25790 Oliana (Lleida)	www.blackanddecker.es service.spain@etforlife.com
France	Engineering and Technology for Life France 6 rue de l'Industrie Z.I des Sablons 89100 Sens	www.blackanddecker.fr service.france@etforlife.com
Helvetia	ROFO AG Gewerbezone Seeblick 3213 Kleinbödingen	www.blackanddecker.ch service@rofoag.ch Tel. 026 674 93 93 Fax 026 674 93 94
Hungary	Stanley Black & Decker Hungary Kft. Meszaros u. 58/B 1016 Budapest (Hungary)	www.blackanddecker.hu Tel: 1.6 225-1661 / 62
Italia	Stanley Black & Decker Italia Via Energypark 6 c/o Energypark Building 3 sud 20871 Vimercate (MB)	www.blackanddecker.it service.italia@SBDinc.com Tel. 039-9590200 Fax 039-9590313 Numero verde. 800-213935
Nederland	Stanley Black & Decker Netherlands BV Holtum Noordweg 35 6121 RE BORN Postbus 83. 6120 AB BORN	www.blackanddecker.nl enduser.NL@SBDinc.com Tel. +31 164 283 065 Fax +31 164 283 200

Norge	Black & Decker Postboks 4613, Nydalen, 0405 Oslo	www.blackanddecker.no kundeservice.no@sbdinc.com
Österreich	Stanley Black & Decker Austria GmbH Oberlaaerstraße 248, A-1230 Wien	www.blackanddecker.at service.austria@sbdinc.com Tel. 01 66116-0 Fax 01 66116-614
Polska	Stanley Black & Decker Polska SP.z.o.o ul. Postepu 21D 02-676 Warszawa Polska	www.blackanddecker.pl reception.warsaw@sbdinc.com Tel: 22 4642700
Portugal	Engineering and Technology for Life Portugal Avenida Rainha D. Amélia, nº12-B 1600-677 Lisboa	www.blackanddecker.pt service.portugal@etforlife.com
Romania	Stanley Black&Decker Polska Bucharest Branch Phoenicia Business Center Turturelelor Street, No 11A, 6th Floor,Module 15, 3rd District. Bucharest (Romania)	office.bucharest@sbdinc.com Tel. +4021.320.61.04.
Slovenija	G-M&M, Trgovina d.o.o. Cesta dr. Jožeta Pučnika 10, 1290 Grosuplje (Slovenija)	+386(0)1 78 66 552 nabava@g-mm.si
Suomi	Black & Decker PL 47, 00521 Helsinki	www.blackanddecker.fi asiakaspalvelu.fi@sbdinc.com
Sverige	Black & Decker AB Box 94, 431 22 Mölndal	www.blackanddecker.se kundservice.se@sbdinc.com
Türkiye	KALE Hirdavat ve Makina A.Ş. Defterdar Mah. Savaklar Cad. No: 15 Edimekapi / Eyüp / Istanbul 34050	www.blackanddecker.com.tr Tel. 0212 533 52 55 Fax. 0212 533 10 05
United Kingdom & Republic Of Ireland	Black & Decker Slough, Berkshire SL1 4DX 270 Bath Road "	www.blackanddecker.co.uk emeaservice@sbdinc.com Tel. 01753 511234 Fax. 01753 512365
Middle East & Africa	Black & Decker P.O.Box - 17164 Jebel Ali Free Zone (South), Dubai, UAE	www.blackanddecker.ae service.mea@sbdinc.com Tel. +971 4 8863030 Fax. +971 4 8863333



Points de collecte sur www.quefairedemesdechets.fr

ENGINEERING AND TECHNOLOGY FOR LIFE, S.L.
Avda. Barcelona s/n, Oliana, 25790, Spain
www.blackanddecker.eu